

## Self-cleaning Plastic Disc Filters Batteries



**APPLICATIONS:** Disc filters are often used as a safety feature of an installation. They are also used as pre-filters for water intake.

**USAGE:** Disk filters-DP series are used for large water flows where one disc filter is not capable of filtering. The disc filters of this series can be connected in parallel by creating a battery. The filter cartridge consists of a stack of plastic grooved disks packaged in a way that can offer both surface and depth filtration.

**INSTALLATION:** The installation of the filter is done by following the direction of the flow arrow in the filter body. The water enters the inlet, passes through the cartridge, is filtered and exits from the outlet.

**MAINTENANCE:** Each filter is cleaned manually, disassembling the lid and removing the cartridges. The cleaning of the cartridges should always be done when the difference of input-output (DP) is 0.5 bar greater than the pressure difference while the cartridge is clean.

## Materials

**COLLECTOR/BASE:** Steel S235JR

**SURFACE TREATMENT:** Chemical cleaning (pickling, phosphate) and electrostatic painting with polyester powder (available epoxy coatings suitable for drinking water).

### PLASTIC FILTER

**BODY:** Reinforced polyamide

**CARTRIDGE:** Disks made of polypropylene

**SEALS:** NBR

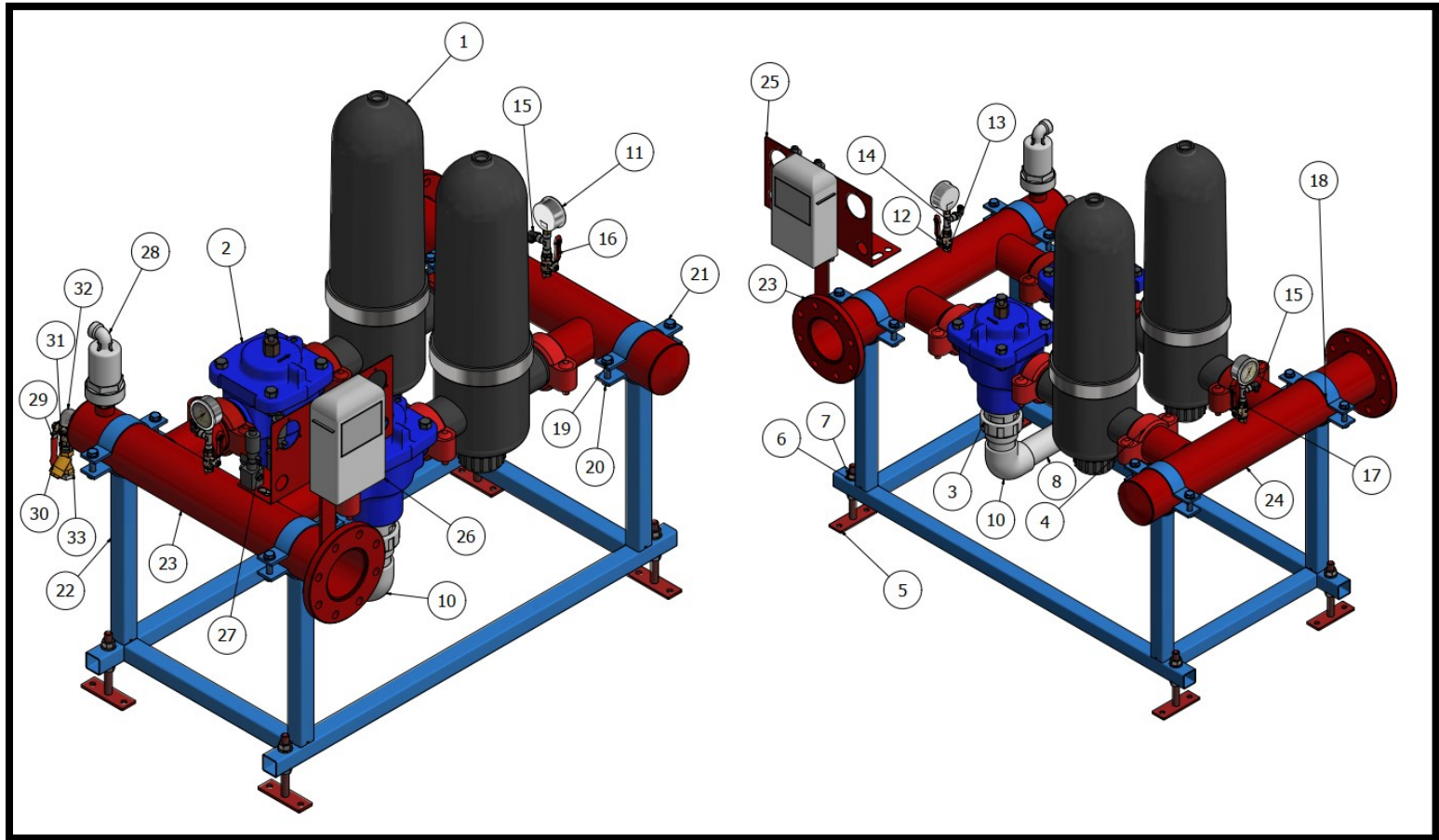
**CLAMP:** Stainless steel AISI 304

CODE	DP-23-000	DP-33-000	DP-24-000	DP-34-000	DP-44-000	DP-54-000
DESCRIPTION	DP 4'' (2x3'')	DP 4'' (3x3'')	DP 5'' (2x4'')	DP 6'' (3x4'')	DP 8'' (4x4'')	DP 10'' (5x4'')
CONNECTIONS	F	F	F	F	F	F
<b>FILTRATION</b>						
MAX FLOW (m <sup>3</sup> /h)	60	90	120	180	250	320
MAX PRESSURE (bar)	10	10	10	10	10	10
<b>CLEANING</b>						
FILTRATION AREA (cm <sup>2</sup> )	2984	4476	5968	8952	11936	14920
MIN FLOW (m <sup>3</sup> /h)	10	10	10	10	10	10
MIN PRESSURE (bar)	2	2	2	2	2	2

COLOUR	MESH	MICRON
GREEN	75	200
RED	120	130
YELLOW	155	100
BLUE	300	50
PURPLE	750	20
BROWN	1500	10

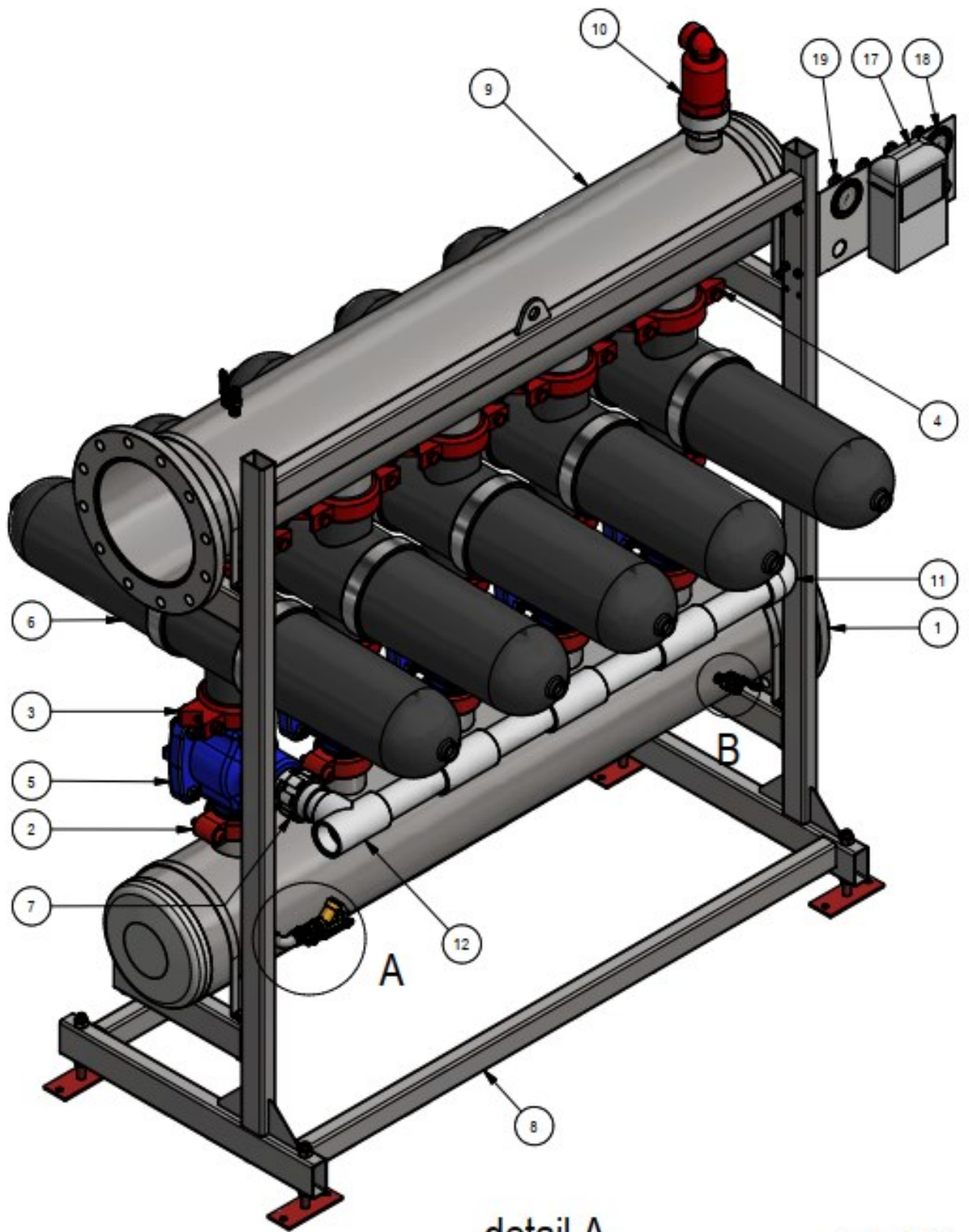
## Part list DP-23-000

ITEM	QTY	PART NUMBER	TITLE
1	2	06-08-023	Plastic filter D3" automatic
2	2	02-04-128	back wash valve 3"x 2" victaulic (Tecnidro)
3	2	02-05-208	Union PVC Ø63 x 2"
4	6	02-05-067	Connector victaulic 3" S75
5	4	MB-AU-3D3	Base for DP system D3"x2
6	8	02-10-200	Washer M 16 galvanized
7	8	02-10-303	Nut M16 galvanized
8	3	00-02-525	Pipe PVC Ø63/10 atm
9	1	02-05-062	Tee PVC Ø63 90
10	1	02-05-012	Elbow Ø63 PVC 90
11	2	06-02-007	Glycerin pressure gauge 0-16 bar inox
12	2	02-07-056	Filter FINGER 1/4
13	2	02-05-010	Nipple 1/4"x1/8"
14	2	02-05-137	Tee 1/4 x1/4 x1/4
15	2	02-05-006	Elbow lock Ø6x1/4" TM
16	2	02-04-004	Ball valve 1/4" F-F
17	2	02-05-042	Nipple 1/4"
18	4	00-01-031	Base for collectors
19	8	02-10-250	Washer DIN 125 M12 galvanized
20	8	02-10-306	Nut M12 DIN934 galvanized
21	8	02-10-382	Hex head bolt M12X55 DIN 931-1
22	1	MB-AU-2D3	Cradle for 2D3
23	1	MD-23-400-1	Collector for inlet 4"X3" victaulic
24	1	MD-23-400-2	Collector for outlet 4"X3" victaulic
25	1	02-08-032-1	Base for controller 1 station
26	1	02-07-203	Controller F1-10 (AC) 2ST &DP
27	2	02-07-000	Solenoid valve 1/8" 24VAC
28	1	05-20-002	Air release valve 1"
29	1	02-04-006	Ball valve 1_2"
30	1	02-07-057	Filter 1/2"
31	1	02-05-150	Nipple ½" galvanized
32	1	02-05-016	Elbow 1_2X1_2 (T-F) galvanized
33	1	02-05-117	Reducing socket 1_2" TM - 1_4" TF (PE)



## Part list DP-54-000

ITEM	QTY	PART NUMBER	TITLE
1	1	MD-54-000-1	Inlet manifold 10"(5X3") for battery DP-54-000
2	5	02-05-067	Victaulic coupling 3" S75
3	5	02-05-947	Reducing victaulic coupling 4"X3"
4	5	02-05-066	Victaulic coupling 4" S75
5	5	02-04-128	3Way Backwashing Valve 3" x 2" victaulic (TVALVE)
6	5	06-08-024	Automatic Disk filter DD4" Double
7	5	02-05-208	Union PVC Ø63x2" Glued male threaded
8	1	02-08-037-5	Skid for disc filter battery 5 X 4"
9	1	MD-54-000-2	Outlet manifold 10"(5X4") for battery DP-54-000
10	1	05-20-008	Air relief valve 2"
11	1	02-05-012	Elbow Ø63 PVC 90 Glued
12	4	02-05-062	Tee PVC Ø63 90 Glued
13	1	02-04-006	Ball valve 1/2" M-F
14	1	02-07-057	IN LINE FILTER 1/2"
15	2	02-07-056	Finger filter 1/4"
16	2	02-04-004	Ball valve 1/4" F-F PN40
17	1	02-07-203	Controller F1-10 (AC) 2ST &DP
18	2	06-02-016	Glycerin pressure gauge 0-16 panel mount
19	5	02-07-000	Solenoid Valve 1/8" 24VAC



detail A

detail B

