

Sand Separator Y/ HCY series



APPLICATIONS: Agricultural, industrial activities

USAGE: Hydro cyclones, Y-series can separate large quantities of sand and other solid matter (with S.W >1) from water. Depending on the conditions (e.g., flow, special weight S.W. of matter, etc.), separation efficiency can exceed 90%.

OPERATION: The operation principle of Y-series filters is based on centrifugal force that is created when raw water enters tangentially and forces solid particles to be separated from liquid. These particles following a spiral path near the wall of hydro cyclone, are collected into the collection chamber located at the bottom, where they are removed by opening the drain valve. Clean water moves upwards to the center of the spiral, towards the top outlet.

Materials

BODY: Steel S235JR (also available in stainless steel AISI 304 & 316, upon request)

SURFACE TREATMENT: Chemical cleaning (pickling, phosphate) and electrostatic painting with polyester powder (available epoxy coatings suitable for drinking water).

CODE	05-06-034	05-06-100	05-06-150	05-06-205
DESCRIPTION	Y ¾"	Y 1"	Y 1 ½"	Y 2"
CONNECTIONS	TM	TM	TM	TM, G
FLOW (m ³ /h)	3-5	5-12	10-16	15-25
MAX PRESSURE (bar)	8	8	8	8
L (mm)	125	125	140	230
H (mm)	660	665	880	1355
h (mm)	580	580	790	1205
A (mm)	62	62	50	95
WEIGHT (kg)	6.8	8.7	9.2	25.0

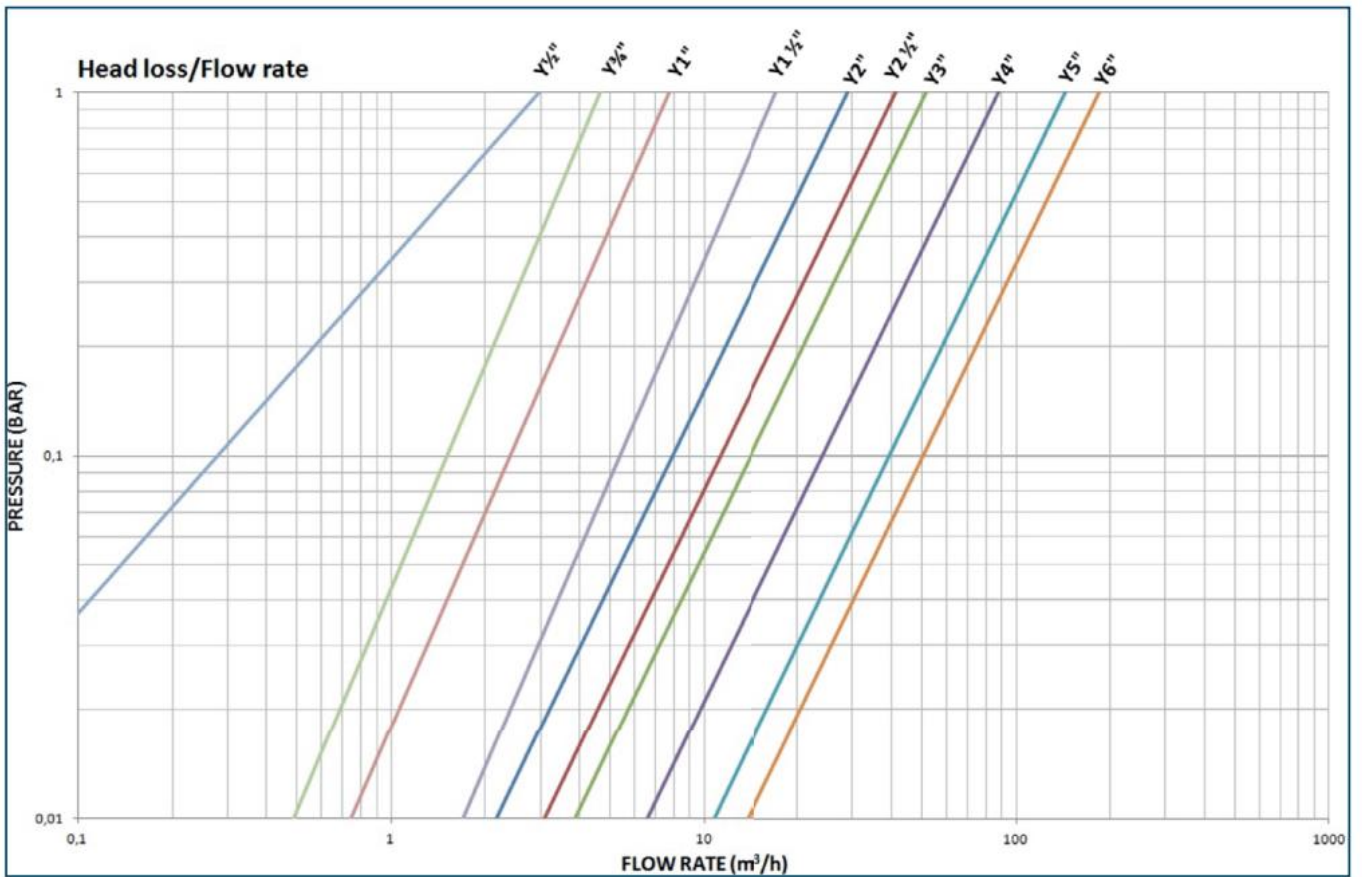
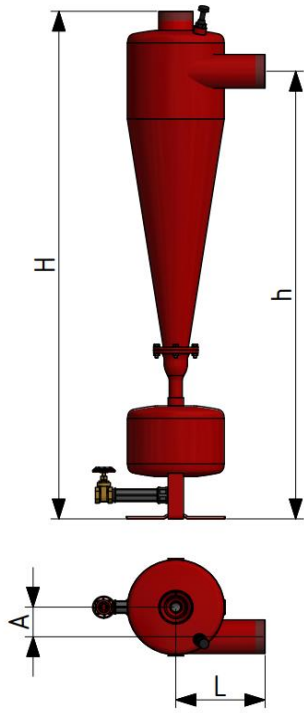
CODE	05-06-255	05-06-305	05-06-401	05-06-500	05-06-600
DESCRIPTION	Y 2 ½"	Y 3"	Y 4"	Y 5"	Y 6"
CONNECTIONS	TM, G	TM, G	TM, G, F	F	F
FLOW (m ³ /h)	20-35	30-50	50-80	100-150	100-150
MAX PRESSURE (bar)	8	8	8	8	8
L (mm)	230	230	295	560	560
H (mm)	1355	1355	1480	2025	2025
h (mm)	1205	1205	1270	1675	1675
A (mm)	84	78	102	200	200
WEIGHT (kg)	25.5	26.0	38.0	112.0	115.0

TM: Threaded male BSP

TF: Threaded Female BSP

F: Flanged, DIN 2567 PN10

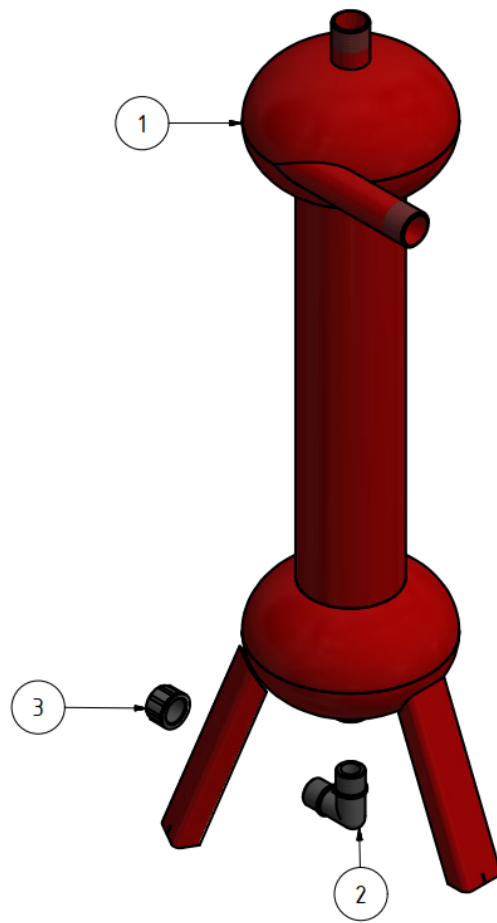
G: Grooved upon request



Part list 05-06-034

ITEM	QTY	PART NUMBER	TITLE
1	1	02-00-601-05-000	Filter housing ¾"
2	1	02-05-971	Elbow ½" (PE) male
3	1	02-05-354	Female plug ½" (PE)

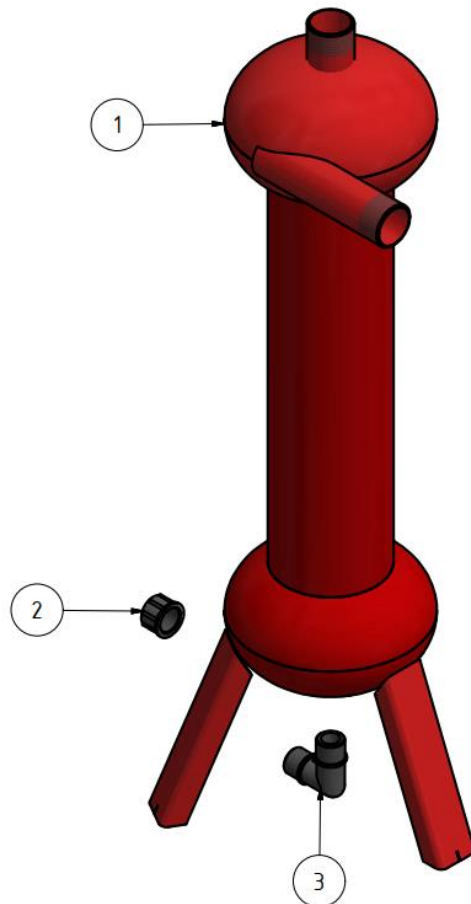
05-06-034-05 Hydrocyclone series Y ¾" TM



Part list 05-06-100

ITEM	QTY	PART NUMBER	TITLE
1	1	02-00-602-05-000	Filter housing 1"
2	1	02-05-971	Elbow ½" (PE) male
3	1	02-05-354	Female plug ½" (PE)

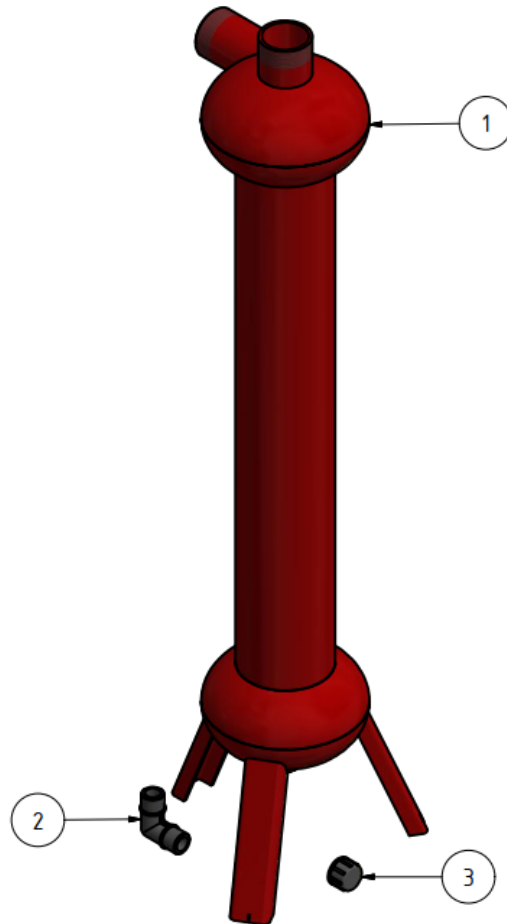
05-06-100-05-000 Hydrocyclone series Y 1" TM



Part list 05-06-150

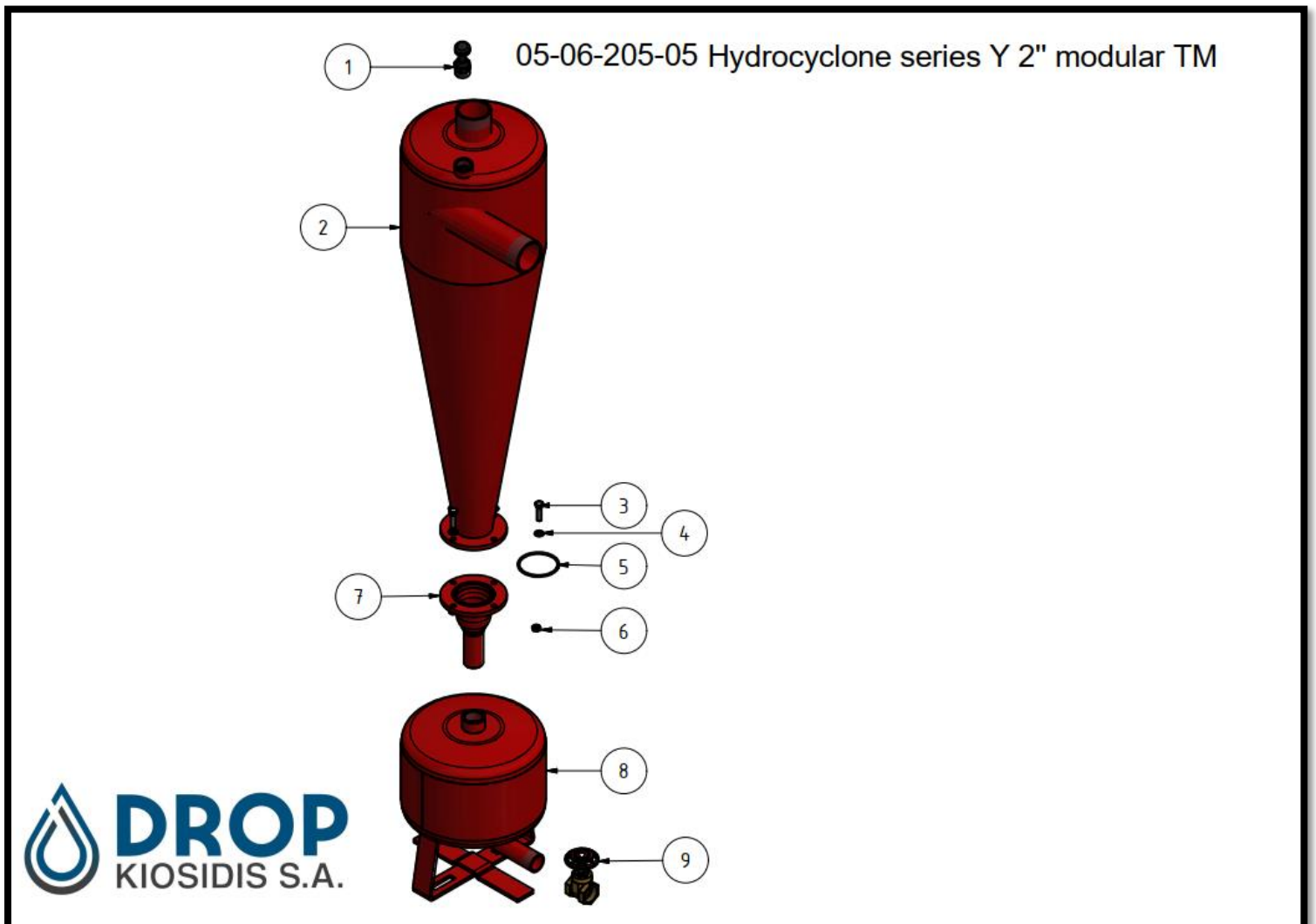
ITEM	QTY	PART NUMBER	TITLE
1	1	02-00-603-05-000	Filter housing 1 ½"
2	1	02-05-971	Elbow ½ " (PE) male
3	1	02-05-354	Female plug ½" (PE)

05-06-150 Hydrocyclone series Y 1 1/2" TM



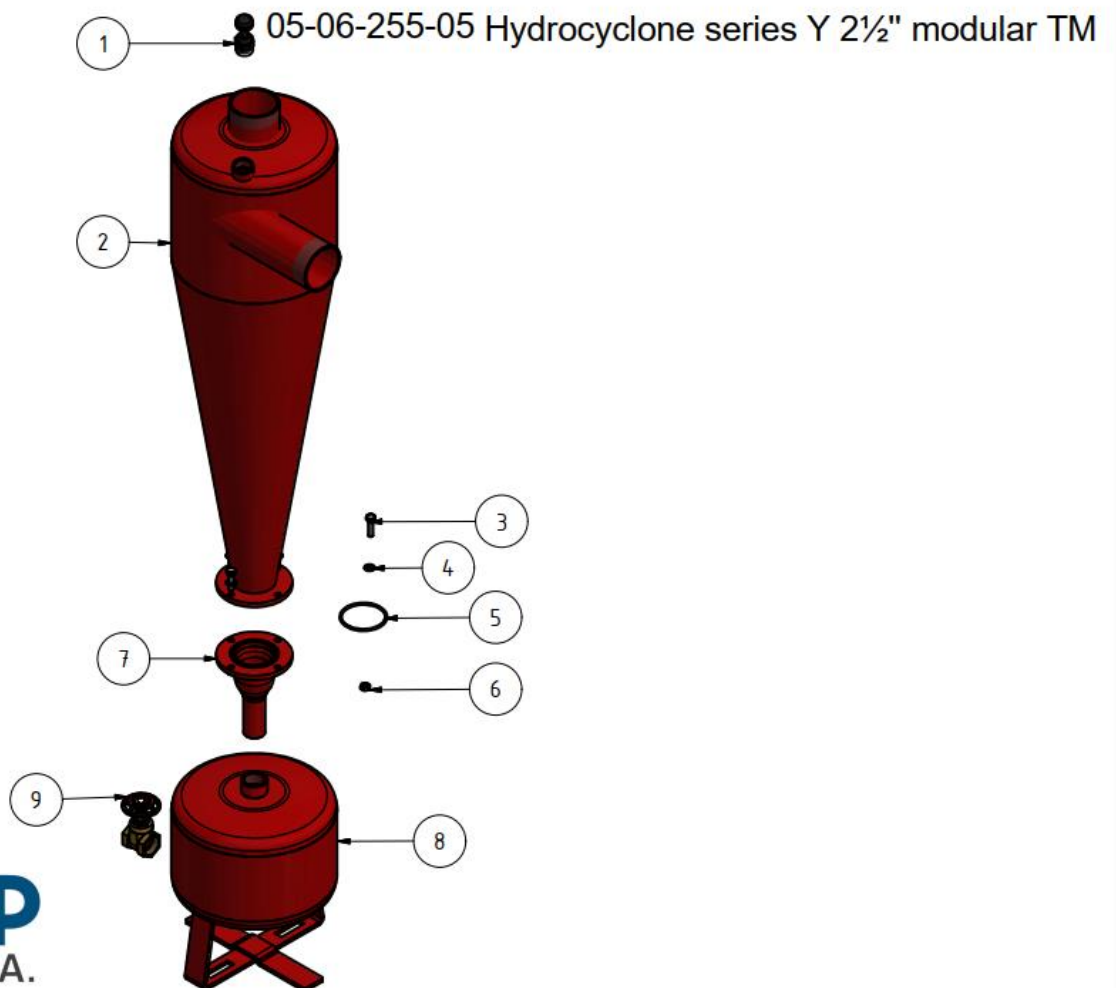
Part list 05-06-205

ITEM	QTY	PART NUMBER	TITLE
1	1	02-11-002	Air release valve ¾" polyacetal
2	1	02-00-604	Filter housing 2"
3	4	02-10-372	Bolt M8 x 30 DIN 933 inox
4	4	02-10-369	Washer M8 DIN 125 inox
5	1	02-02-531	O-ring DIN 3771- 5 x 3.55 mm NBR 70
6	4	02-10-359	Nut M8 DIN 934 inox
7	1	02-00-910	Reducer chamber 2", 2 ½ ", 3"
8	1	02-00-909	Collecting chamber 2", 2 ½ ", 3" (8 liters)
9	1	02-04-020	Gate valve 1"



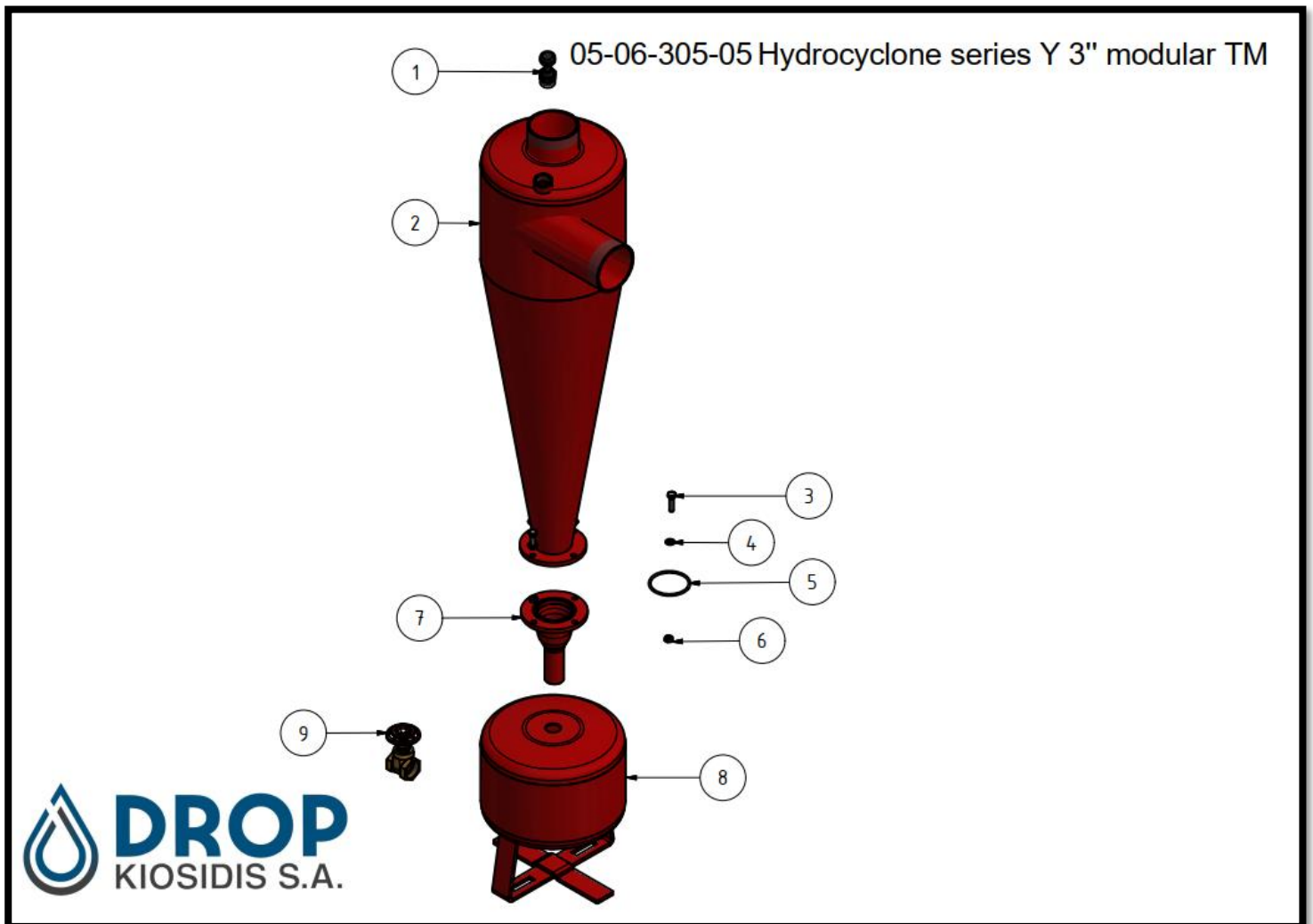
Part list 05-06-255

ITEM	QTY	PART NUMBER	TITLE
1	1	02-11-002	Air release valve ¾" polyacetal
2	1	02-00-605	Filter housing 2 ½"
3	4	02-10-372	Bolt M8 x 30 DIN 933 inox
4	4	02-10-369	Washer M8 DIN 125 inox
5	1	02-02-531	O-ring DIN 3771- 5 x 3.55 mm NBR 70
6	4	02-10-359	Nut M8 DIN 934 inox
7	1	02-00-910	Reducer chamber 2", 2 ½ ", 3"
8	1	02-00-909	Collecting chamber 2", 2 ½ ", 3" (8 liters)
9	1	02-04-020	Gate valve 1"



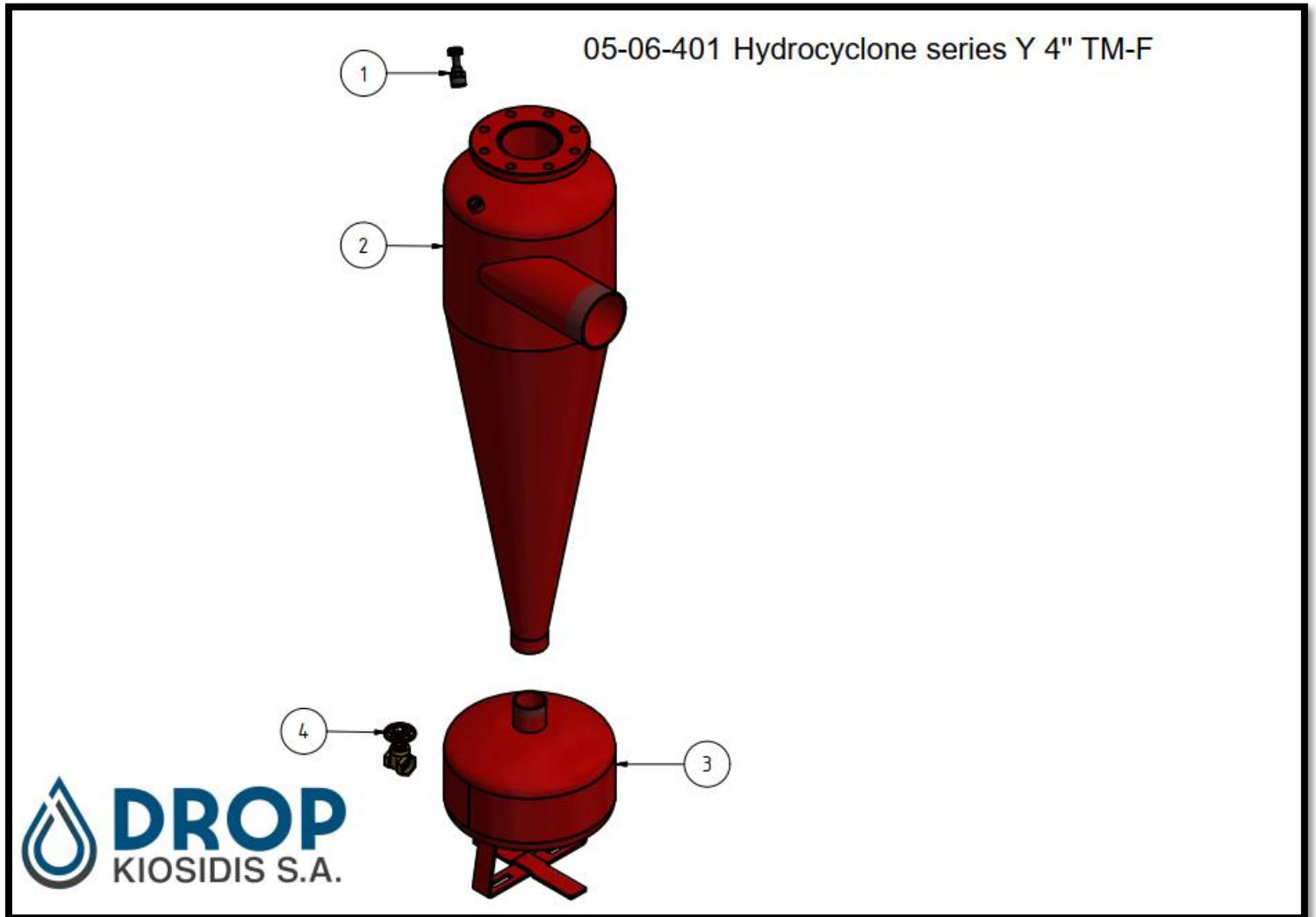
Part list 05-06-305

ITEM	QTY	PART NUMBER	TITLE
1	1	02-11-002	Air release valve ¾" polyacetal
2	1	02-00-606	Filter housing 3"
3	4	02-10-372	Bolt M8 x 30 DIN 933 inox
4	4	02-10-369	Washer M8 DIN 125 inox
5	1	02-02-531	O-ring DIN 3771- 5 x 3.55 mm NBR 70
6	4	02-10-359	Nut M8 DIN 934 inox
7	1	02-00-910	Reducer chamber 2", 2 ½ ", 3"
8	1	02-00-909	Collecting chamber 2", 2 ½ ", 3" (8 liters)
9	1	02-04-020	Gate valve 1"



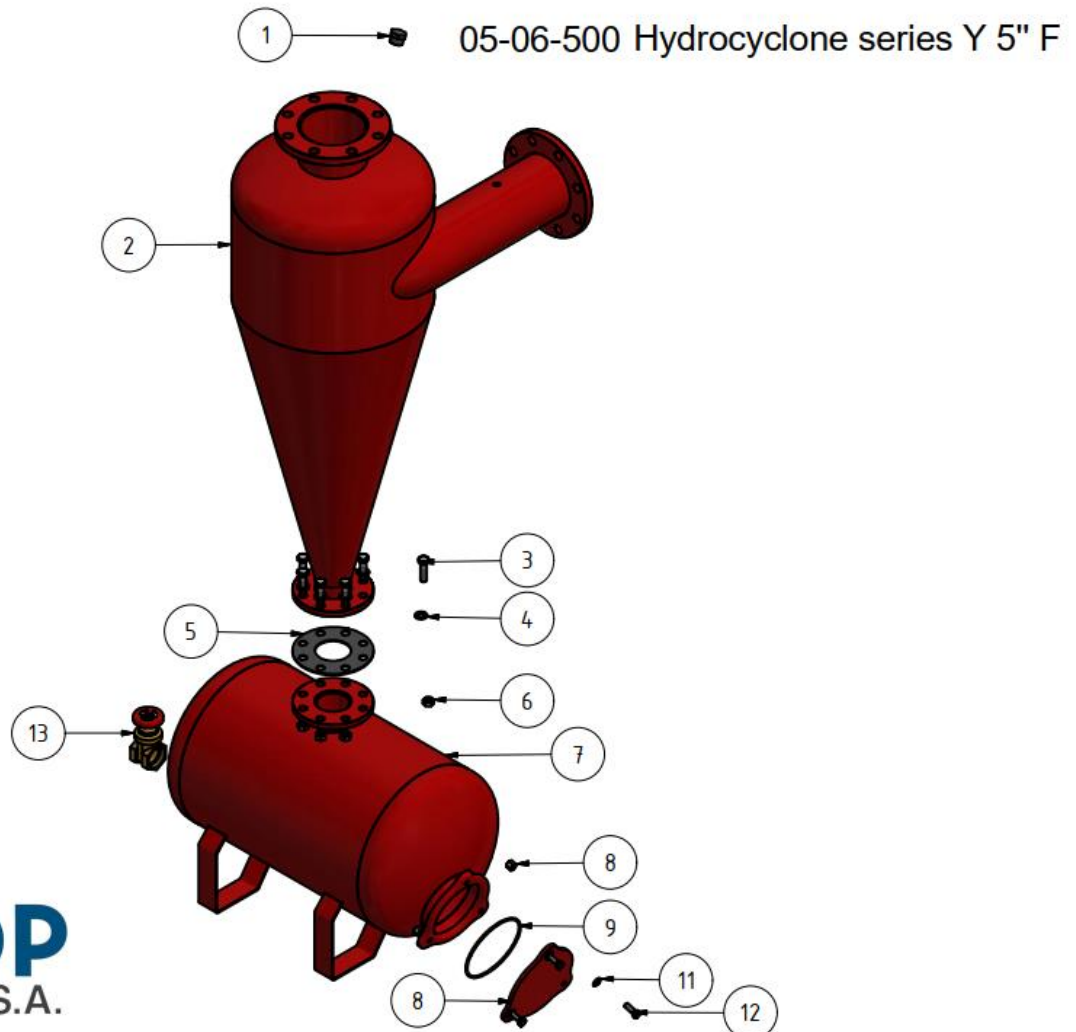
Part list 05-06-401

ITEM	QTY	PART NUMBER	TITLE
1	1	02-11-002	Air release valve ¾" polyacetal
2	1	02-00-611-03-000	Filter housing 4"
3	1	02-00-905	Collecting chamber 4" (13 liters)
4	1	02-04-020	Gate valve 1"



Part list 05-06-500

ITEM	QTY	PART NUMBER	TITLE
1	1	02-05-342	Plug 1" TM (PE)
2	1	02-00-612	Filter housing 5"
3	8	02-10-379	Bolt galvanized M16 x 55 DIN 931
4	8	02-10-200	Washer DIN 125- A17 galvanized
5	1	02-02-056	Rubber flange 3" DIN (80)
6	8	02-10-303	Nut DIN 934 M16 x 2
7	1	02-00-906	Sand collector for 6" (120 liters)
8	3	02-10-311	Nut M12 x 17 galvanized
9	1	02-02-030	O-ring 174 x 5.3 mm
10	1	02-01-062	Lid for sand media filters X without hole
11	3	02-10-250	Washer M12 DIN 125
12	3	02-10-131	Bolt galvanized M12 x 35 (DIN 933)
13	1	02-04-020	Gate valve 1"



Part list 05-06-600

ITEM	QTY	PART NUMBER	TITLE
1	1	02-05-342	Plug 1" TM (PE)
2	1	02-00-609-03-000	Filter housing 6"
3	8	02-10-379	Bolt galvanized M16 x 55 DIN 931
4	8	02-10-200	Washer DIN 125- A17 galvanized
5	1	02-02-056	Rubber flange 3" DIN (80)
6	8	02-10-303	Nut DIN 934 M16 x 2
7	1	02-00-906	Sand collector for 6" (120 liters)
8	3	02-10-311	Nut M12 x 17 galvanized
9	1	02-02-030	O-ring 174 x 5.3 mm
10	1	02-01-062	Lid for sand media filters X without hole
11	3	02-10-250	Washer M12 DIN 125
12	3	02-10-131	Bolt galvanized M12 x 35 (DIN 933)
13	1	02-04-020	Gate valve 1"

