

Strainer Filters SY Series



APPLICATIONS: Agricultural activities, industrial activities

USAGE: Strainer filters, SY-series are used to protect irrigation network equipment such as pumps, valves, etc. from wear and blockage by the presence of large caliber sediment. All filters are PN16 and the product range can serve large number of water flow.

INSTALLATION: The installation of the filter is done by following the direction of the flow arrow on the filter body.

OPERATION: The water enters the inlet, passes through the cartridge, is filtered and exits the outlet.

MAINTENANCE: The filter is cleaned manually, disassembling the lid and removing the cartridge. The cleaning of the cartridge should always be done when the DP is 0.5 bar greater than the pressure difference while the cartridge is clean.

Materials

BODY: Steel S235JR (also available in stainless steel AISI 304 & 316, on request).

CARTRIDGE: u-PVC (DIN8061-8062) / stainless steel screen (AISI 304) / perforated stainless steel (for models 6" and bigger).

GASKETS: EPDM

SURFACE TREATMENT: Chemical cleaning (pickling, phosphate) and electrostatic painting with polyester powder (available epoxy coatings suitable for drinking water).

CODE	05-12-200	05-12-300	05-12-400	05-12-500
DESCRIPTION	SY 2" ø 4mm	SY 3" ø 4mm	SY 4" ø 4mm	SY 5" ø 4mm
CONNECTIONS	TM, F, G	F, G	F, G	F, G
FILTRATION AREA (cm ²)	410	620	820	1310
NOMINAL FLOW (m ³ /h)	25	45	80	110
MAX PRESSURE (bar)	16	16	16	16
H (mm)	370	400	455	570
L (mm)	300	360	390	510
W (mm)	180	200	220	250
WEIGHT (kg)	14.0	17.5	21.0	32.5

CODE	05-12-600	05-12-800	05-12-110	05-12-120
DESCRIPTION	SY 6" ø 4mm	SY 8" ø 4mm	SY 10" ø 4mm	SY 12" ø 4mm
CONNECTIONS	F, G	F, G	F, G	F, G
FILTRATION AREA (cm ²)	1700	2300	4230	5190
NOMINAL FLOW (m ³ /h)	160	300	600	850
MAX PRESSURE (bar)	16	16	16	16
H (mm)	570	740	945	1065
L (mm)	590	745	1050	1230
W (mm)	300	445	615	615
WEIGHT (kg)	48.0	112.0	240.0	270.0

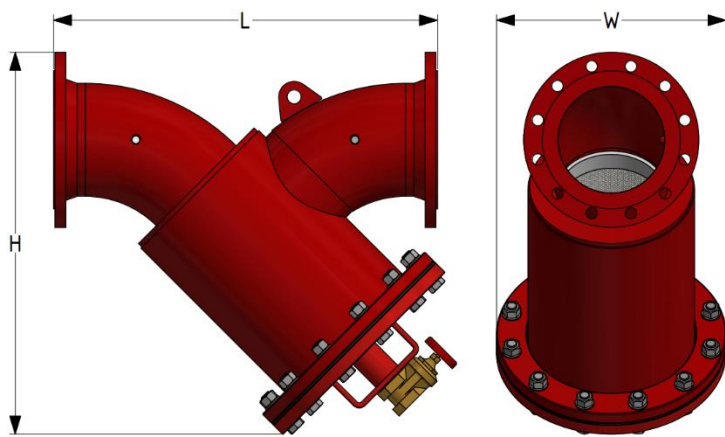
TM: Threaded male BSP, TF: Threaded Female BSP

F: Flanged, DIN 2576 PN 10/16 & DIN2633 PN16,

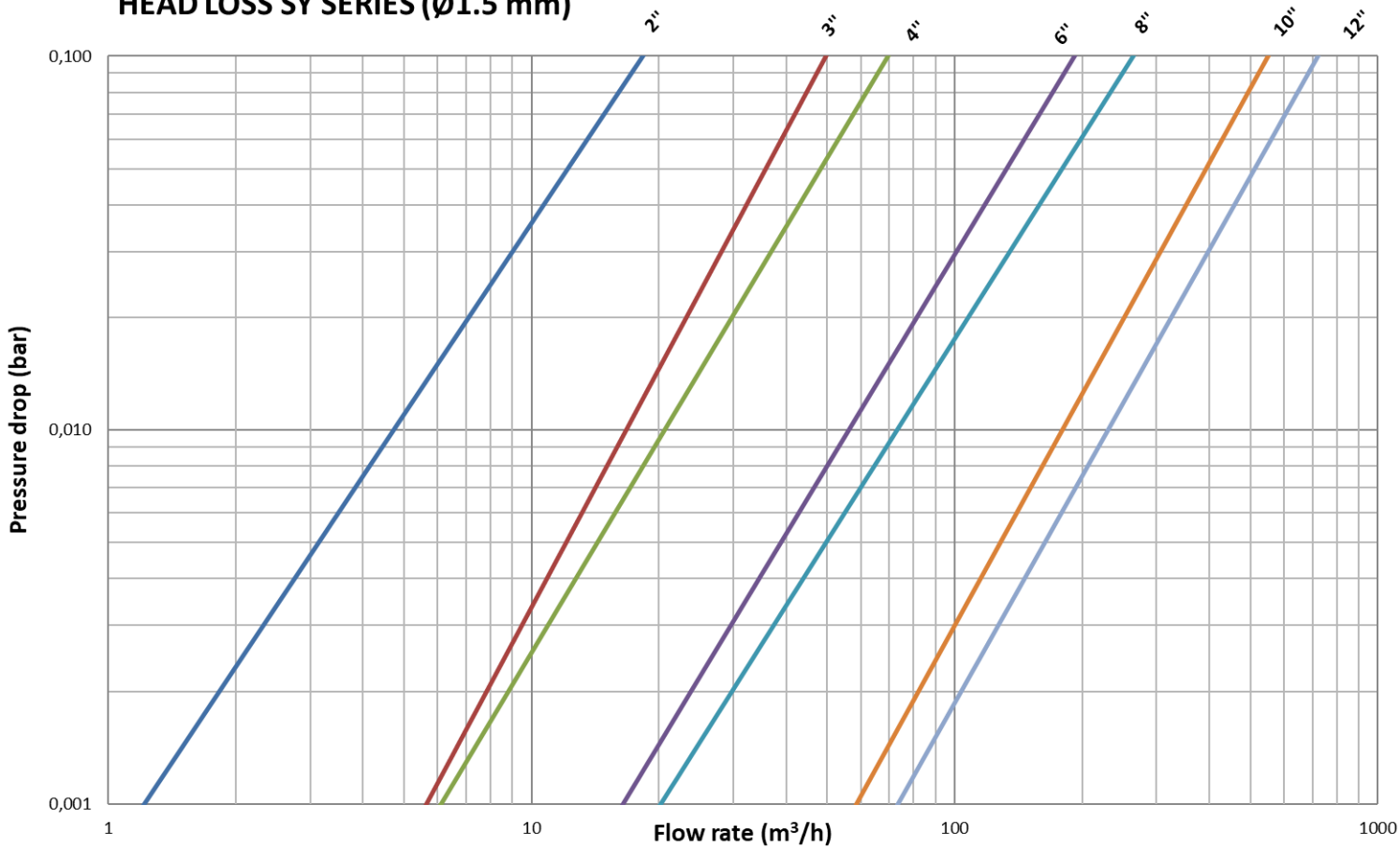
G: Grooved upon request

Other sizes available upon request

Available cartridge perforations: ø 1mm, ø 1.5mm, ø 2mm, ø 4mm



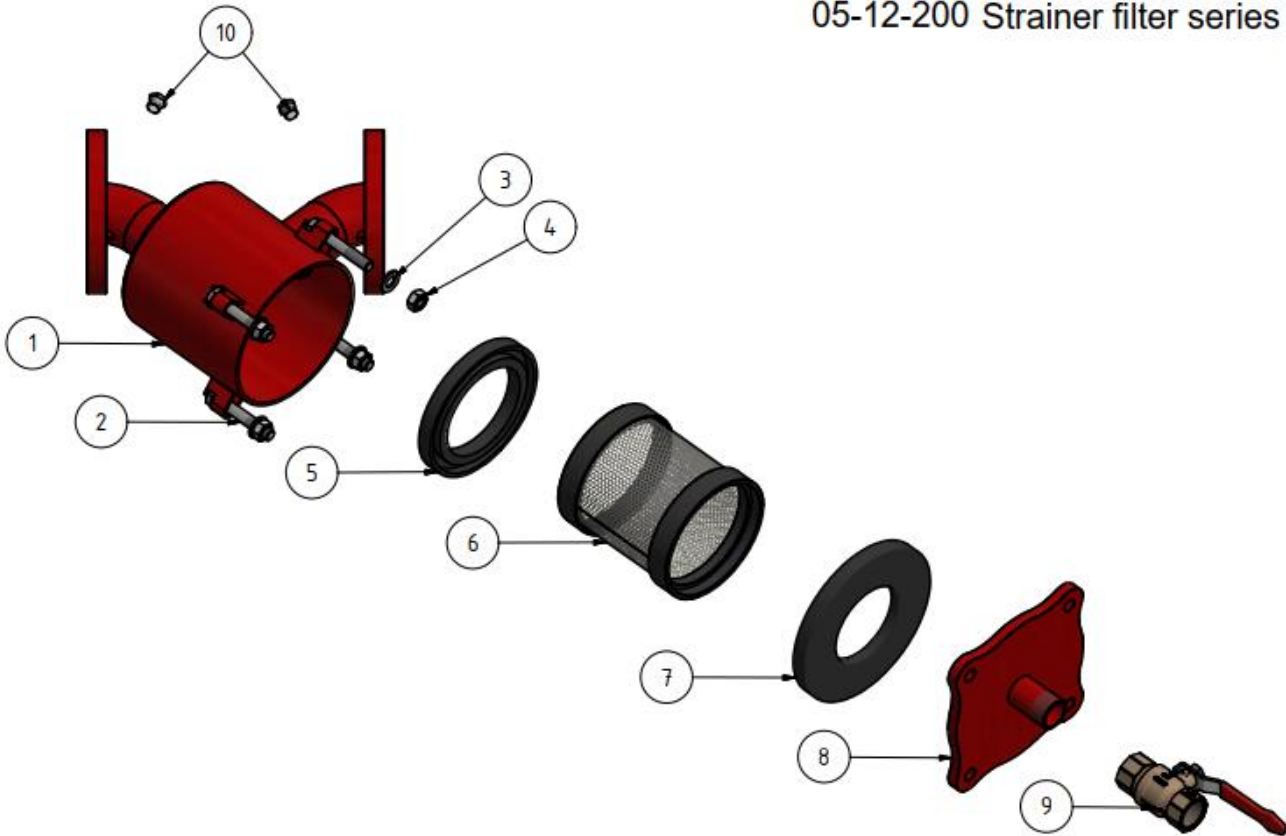
HEAD LOSS SY SERIES ($\varnothing 1.5$ mm)



Part list 05-12-200

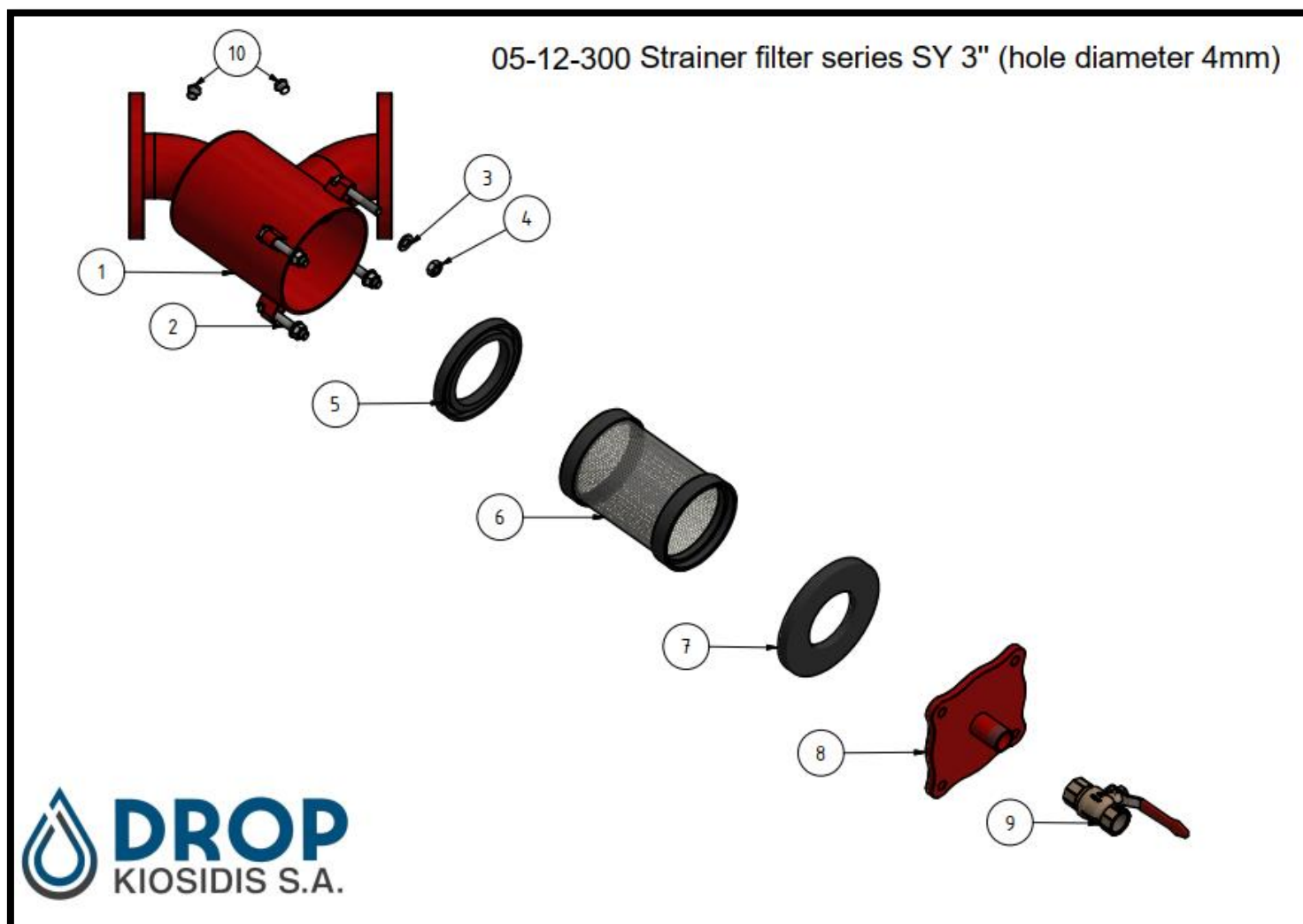
ITEM	QTY	PART NUMBER	TITLE
1	1	02-00-822	Filter housing SY 2" F
2	4	02-10-148	Bolt M12x75 galvanized
3	4	02-10-250	Washer M 12 DIN 125 galvanized
4	4	02-10-306	Nut M12 DIN934 galvanized
5	1	02-02-006	Internal seal for SY, S, O 3", SY, K 2", 2 1/2", 3"
6	1	02-03-204-00-004	Filter cartridge SY 2", ø 4 mm inox
7	1	02-02-007	Lid seal for K 2", 3", S, SY 2"- 4"
8	1	02-01-077	Lid for filter SY 2", 3", 4"
9	1	02-04-002	Ball valve 1" F-F
10	2	02-05-350	Beaded Plug T9 1/4" DIN EN 10242

05-12-200 Strainer filter series SY 2" F



Part list 05-12-300

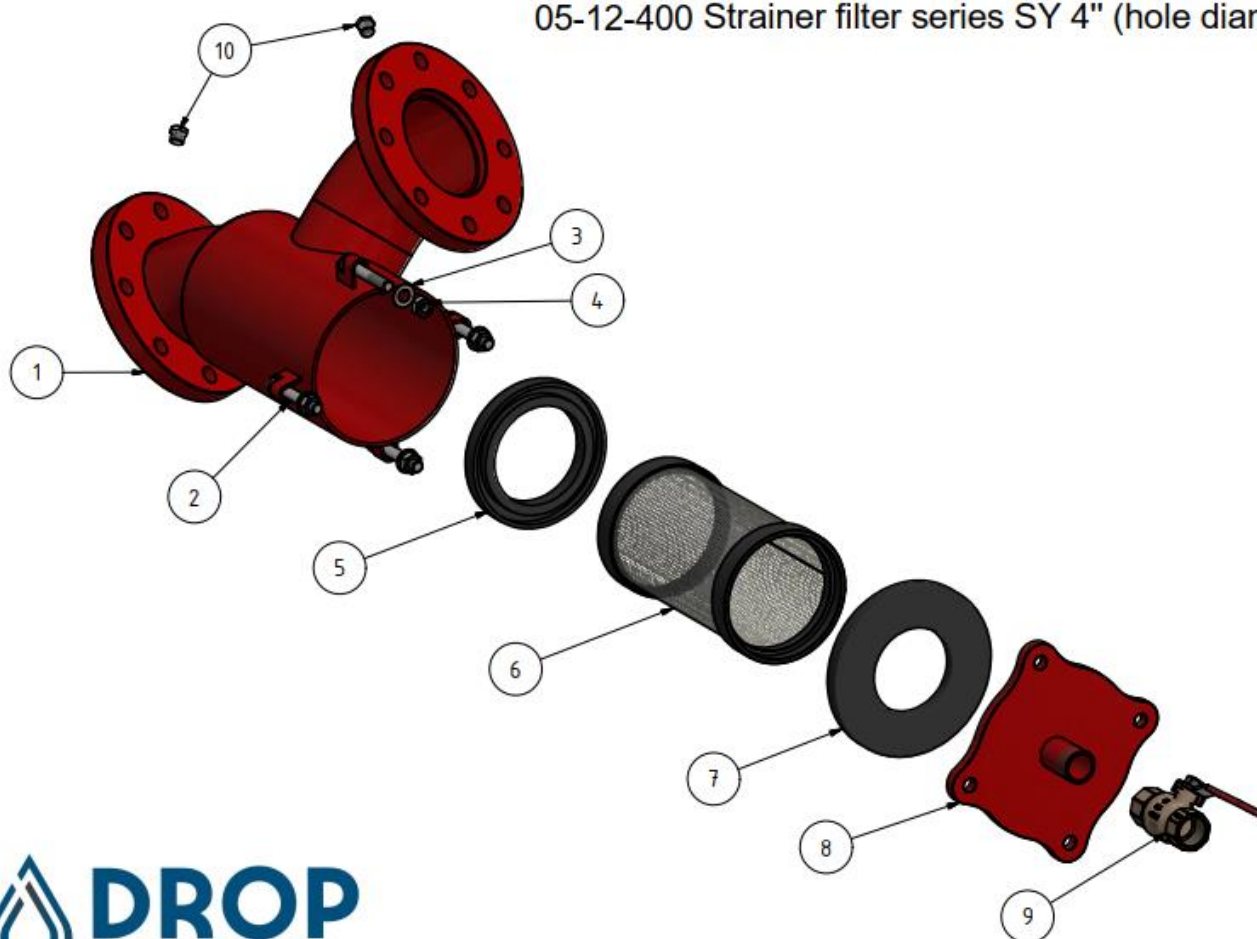
ITEM	QTY	PART NUMBER	TITLE
1	1	02-00-830	Filter housing SY 3" F
2	4	02-10-148	Bolt M12x75 galvanized
3	4	02-10-250	Washer M 12 DIN 125 galvanized
4	4	02-10-306	Nut M12 DIN934 galvanized
5	1	02-02-006	Internal seal for SY, S, O, K 2", 2 1/2", 3"
6	1	02-03-208-00-004	Filter cartridge SY 3", ø 4 mm inox
7	1	02-02-007	Lid seal for K 2", 3", S, SY 2"- 4"
8	1	02-01-077	Lid for filter SY 2", 3", 4"
9	1	02-04-002	Ball valve 1" F-F
10	2	02-05-350	Beaded Plug T9 1/4" DIN EN 10242



Part list 05-12-400

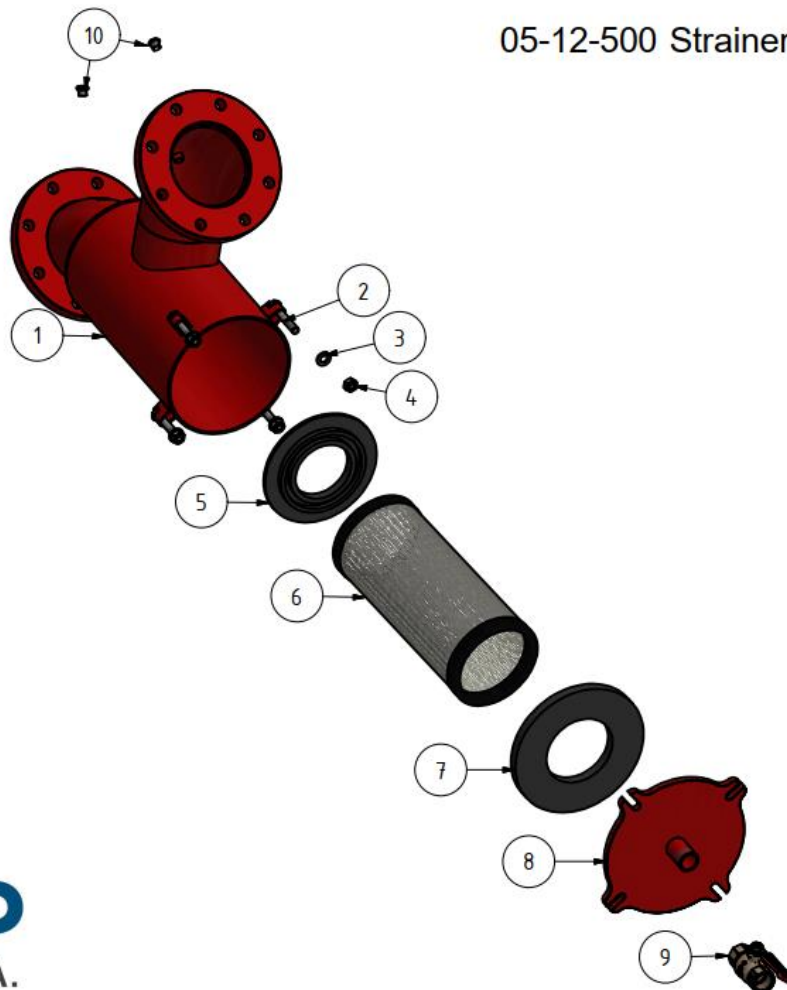
ITEM	QTY	PART NUMBER	TITLE
1	1	02-00-823	Filter housing SY 4" F
2	4	02-10-148	Bolt M12x75 galvanized
3	4	02-10-250	Washer M 12 DIN 125 galvanized
4	4	02-10-306	Nut M12 DIN934 galvanized
5	1	02-02-006	Internal seal for SY, S, O, K 2", 2 1/2", 3", 4"
6	1	02-03-212-00-004	Filter cartridge SY 4", ø 4 mm inox
7	1	02-02-007	Lid seal for K 2", 3", S, SY 2"- 4"
8	1	02-01-077	Lid for filter SY 2", 3", 4"
9	1	02-04-002	Ball valve 1" F-F
10	2	02-05-350	Beaded Plug T9 1/4" DIN EN 10242

05-12-400 Strainer filter series SY 4" (hole diameter 4mm)



Part list 05-12-500

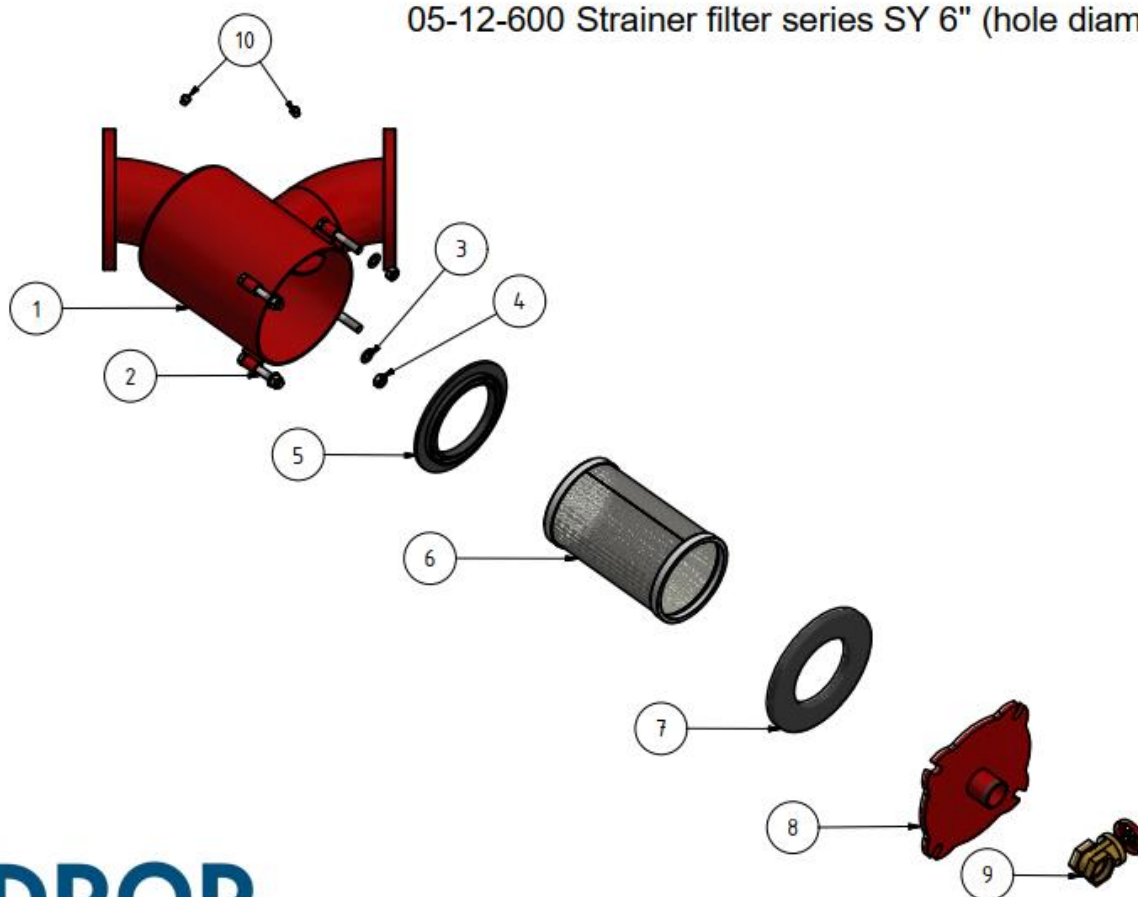
ITEM	QTY	PART NUMBER	TITLE
1	1	02-00-844-03-000	Filter housing SY 5" F
2	4	02-10-148	Bolt M12x75 galvanized
3	4	02-10-250	Washer M 12 DIN 125 galvanized
4	4	02-10-306	Nut M12 DIN934 galvanized
5	1	02-02-009	Internal seal for O,K 4" & RBR, C-3" double super, C-4" double, SY 5"
6	1	02-03-216-00-004	Filter cartridge SY 5", ϕ 4 mm inox
7	1	02-02-008	Lid seal for O, K 4", C 3" double super, C 4" double, SY 5"
8	1	02-01-086	Lid for filter SY 5"
9	1	02-04-002	Ball valve 1" F-F
10	2	02-05-350	Beaded Plug T9 1/4" DIN EN 10242



Part list 05-12-600

ITEM	QTY	PART NUMBER	TITLE
1	1	02-00-824	Filter housing SY 6'' F
2	4	02-10-114	Bolt M16x100 galvanized
3	4	02-10-200	Washer M 16 galvanized
4	4	02-10-303	Nut M16 galvanized
5	1	02-02-020	Internal seal for O, K 5'', 6'' RBR, S, SY 5'', 6''
6	1	02-03-220-00-004	Filter cartridge SY 6'', ϕ 4 mm inox
7	1	02-02-019	Lid seal for O, K 5'', 6'' RBR, S, C, SY 5'', 6''
8	1	02-01-078	Lid for filter SY 6''
9	1	02-04-021	Ball valve 2'' F-F
10	2	02-05-350	Beaded Plug T9 1/4" DIN EN 10242

05-12-600 Strainer filter series SY 6" (hole diameter 4mm)



Part list 05-12-800

ITEM	QTY	PART NUMBER	TITLE
1	1	02-00-825	Filter housing SY 8" F
2	12	02-10-151	Bolt M20x80 ISO 4014
3	12	02-10-251	Washer M 20 DIN125
4	12	02-10-324	Nut M20 DIN934-8
5	2	02-02-039	O-Ring 200*6.99- N-HBR 70 DIN3771
6	1	02-03-224-00-004	Filter cartridge SY 8", ϕ 4 mm inox
7	1	02-02-065	Rubber flange 12" ISO 7483 PN 10 M300
8	1	02-01-079	Lid for filter SY 8"
9	1	02-04-021	Ball valve 2" F-F
10	2	02-05-350	Beaded Plug T9 1/4" DIN EN 10242

