

Fertilizer tanks L series



APPLICATIONS: Irrigation, agricultural activities

USAGE: Fertilizer tank, L-series, represents a simple method for fertilizer distribution through irrigation.

INSTALLATION: The fertilizer tanks are mostly connected to the main water supply system with a by-pass connection.

OPERATION: A part of the main flow passes through the tank, dilutes the fertilizer and is injected back to the main pipe. It is suggested the sage of a screen filter downstream the fertilizer tank for protection against any insoluble material.

Materials

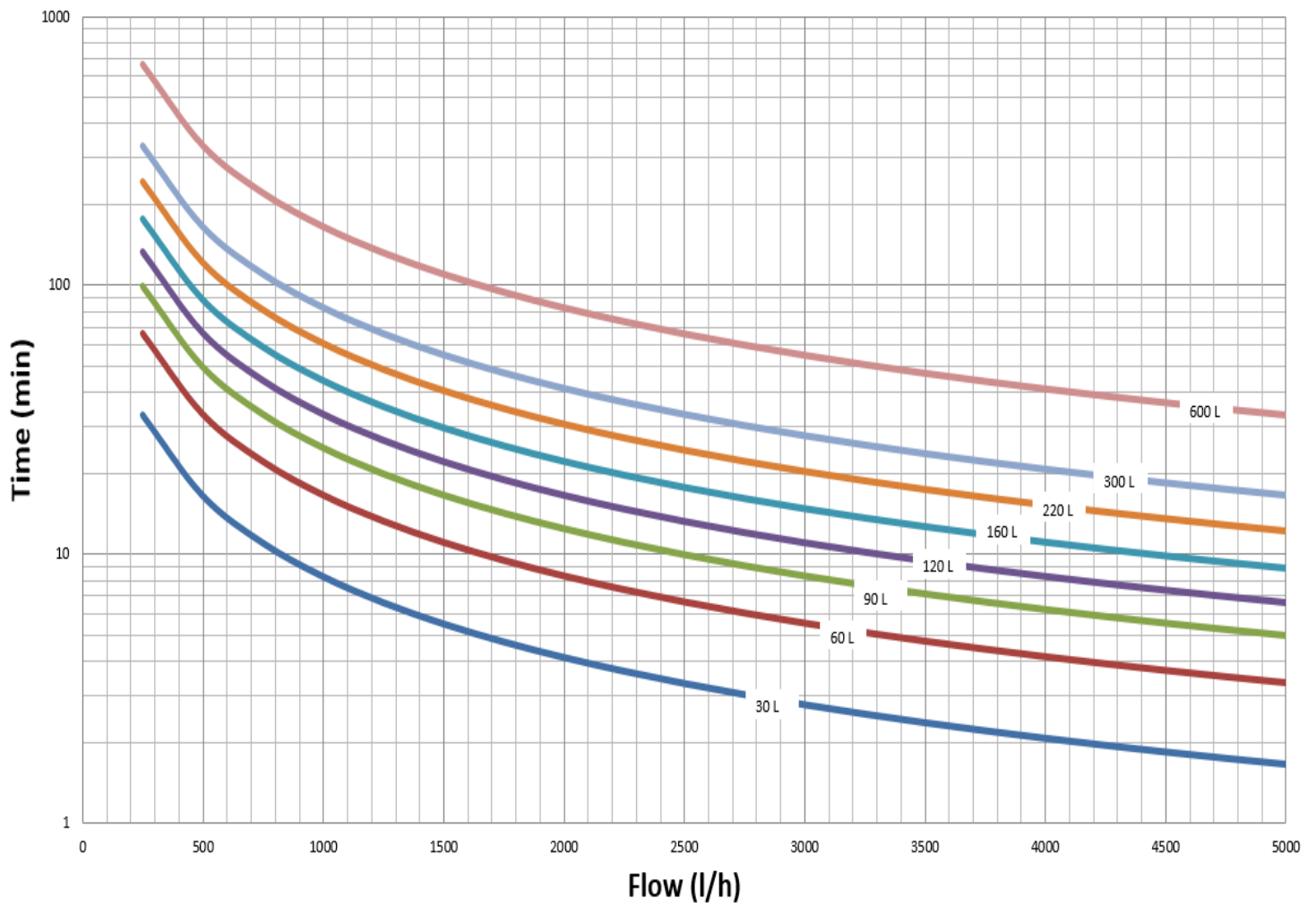
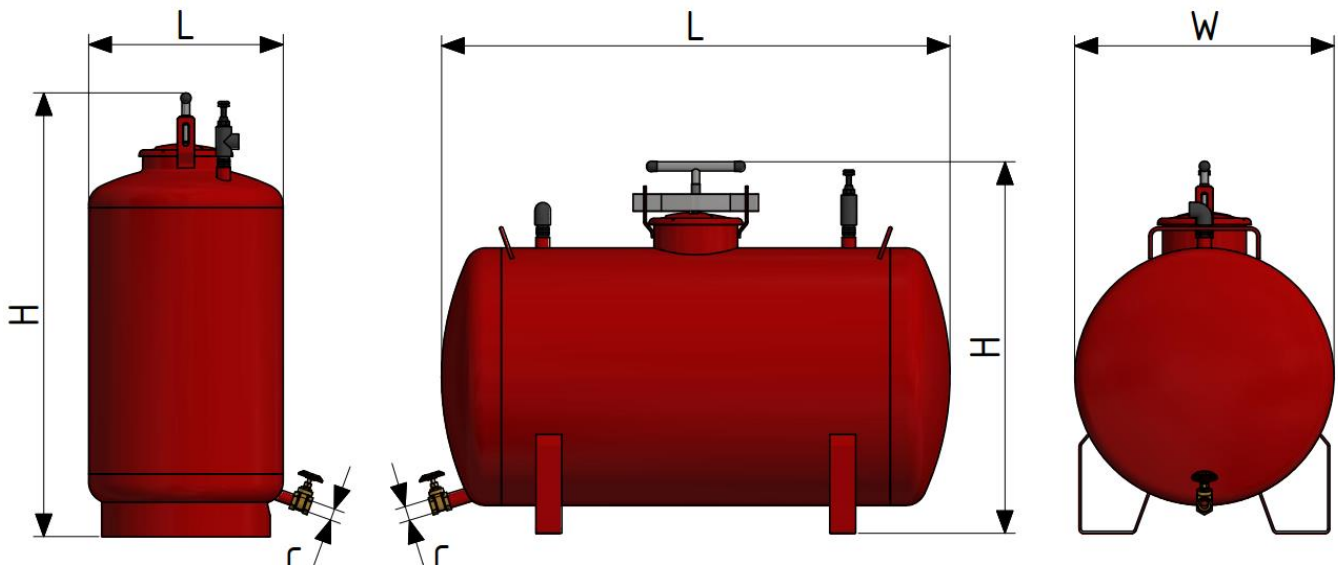
BODY: Steel S235JR (also available in stainless steel AISI 304 & 316 on request).

GASKETS: EPDM

SURFACE TREATMENT: Chemical cleaning (pickling, phosphate) and electrostatic painting with polyester powder (available epoxy coatings suitable for drinking water).

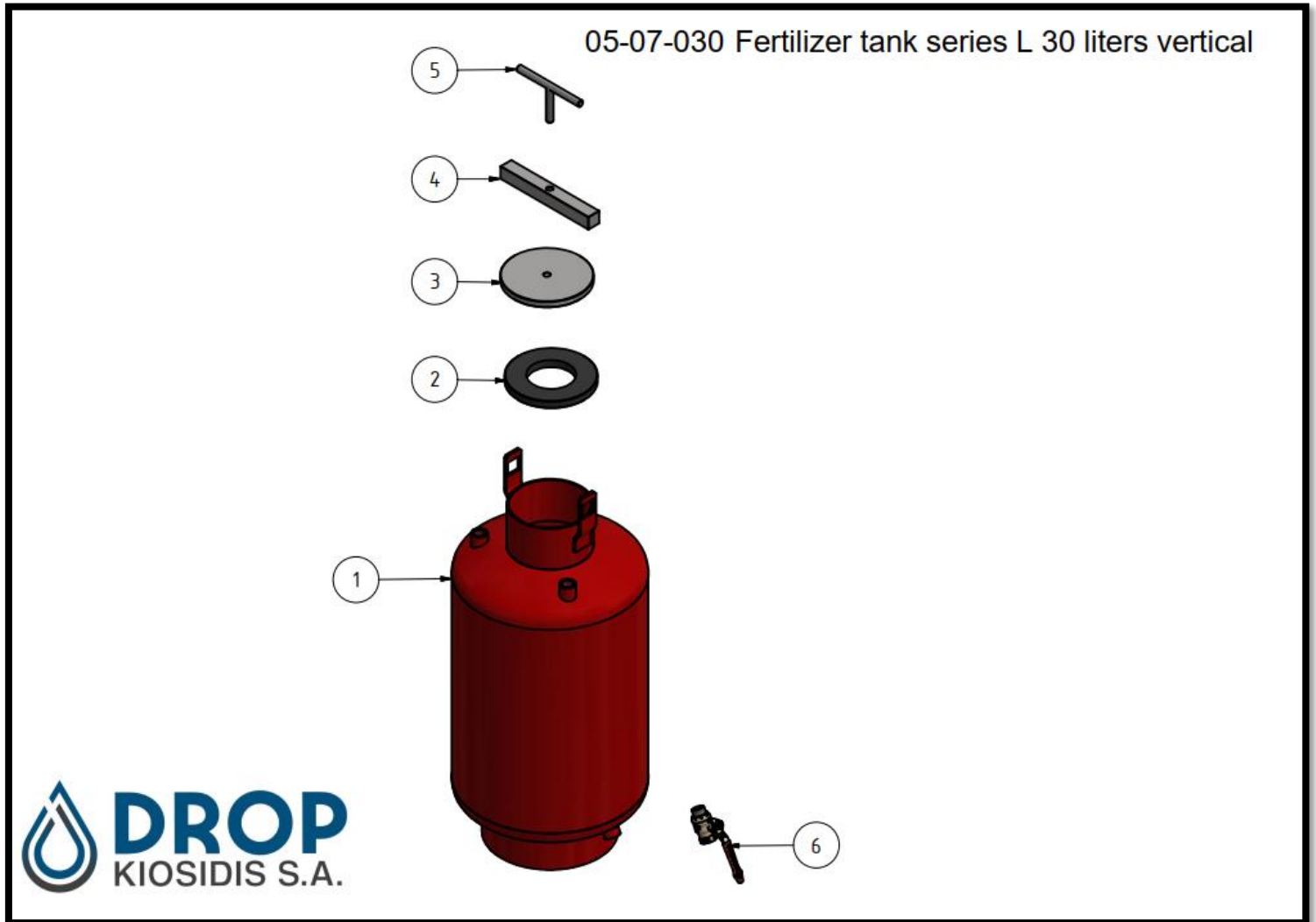
CODE	05-07-030	05-07-060	05-07-090	05-07-120	05-07-121
DESCRIPTION	L 30 liters	L 60 liters	L 90 liters	L 120 liters	L 120 liters stainless steel
IN / OUT	½ "	¾ "	¾ "	¾ "	¾ "
TYPE	Vertical	Vertical	Vertical	Vertical	Vertical Inox
TANK CAPACITY (L)	30	60	90	120	120
PRESSURE (bar)	8	8	8	8	8
L (mm)	-	-	-	-	-
H (mm)	730	745	945	1115	1115
W (mm)	315	450	450	450	450
C (mm)	½ "	¾ "	¾ "	¾ "	¾ "
WEIGHT (kg)	20	27	31	39	39

CODE	05-07-160	05-07-220	05-07-222	05-07-300	05-07-600
DESCRIPTION	L 160 liters	L 220 liters	L 220 liters	F L 300 liters	L 600 liters stainless steel
IN / OUT	¾ "	¾ "	¾ "	¾ "	2"
TYPE	Vertical	Vertical	Horizontal	Horizontal	Horizontal
TANK CAPACITY (L)	160	220	220	300	600
PRESSURE (bar)	8	8	8	8	8
L (mm)	-	-	890	1170	1810
H (mm)	856	1050	915	915	1100
W (mm)	600	600	600	600	750
C (mm)	¾ "	1"	1"	1"	2"
WEIGHT (kg)	40	62	60	64	115



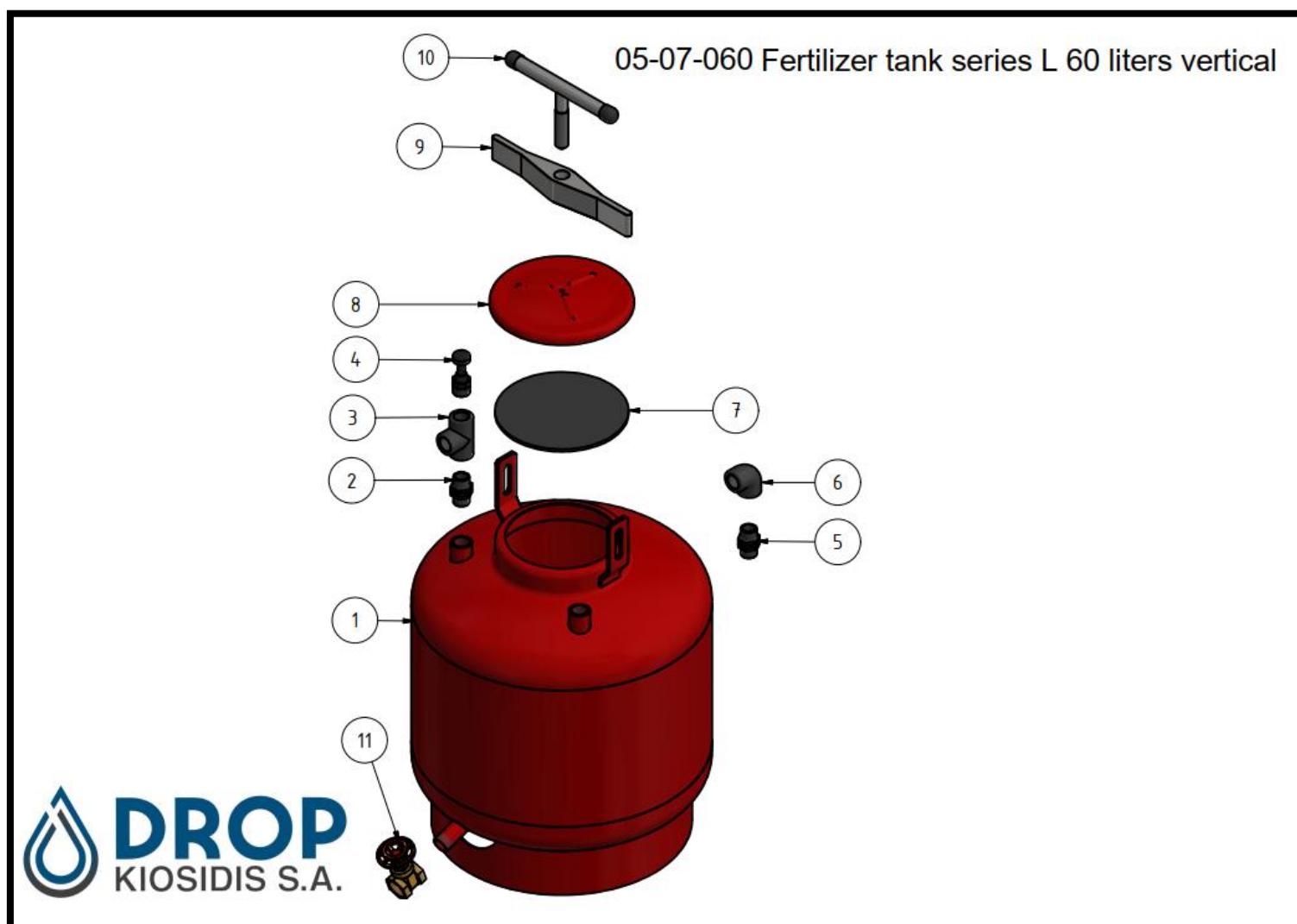
Part list 05-07-030

ITEM	QTY	PART NUMBER	TITLE
1	1	02-00-834-00-000	Fertilizer tank body L30
2	1	02-02-012	Lid seal for O ¾" ,1" , 1 ½" , X 1"-12" , L 30
3	1	02-01-009	Lid for filter L30
4	1	02-20-003	Lid bridge for filter O ¾" ,1" , 1 ½ "
5	1	02-10-101	Lid closing handle for filters O ¾"-1"-1½"
6	1	02-04-006	Ball valve 1/2" TM-TF



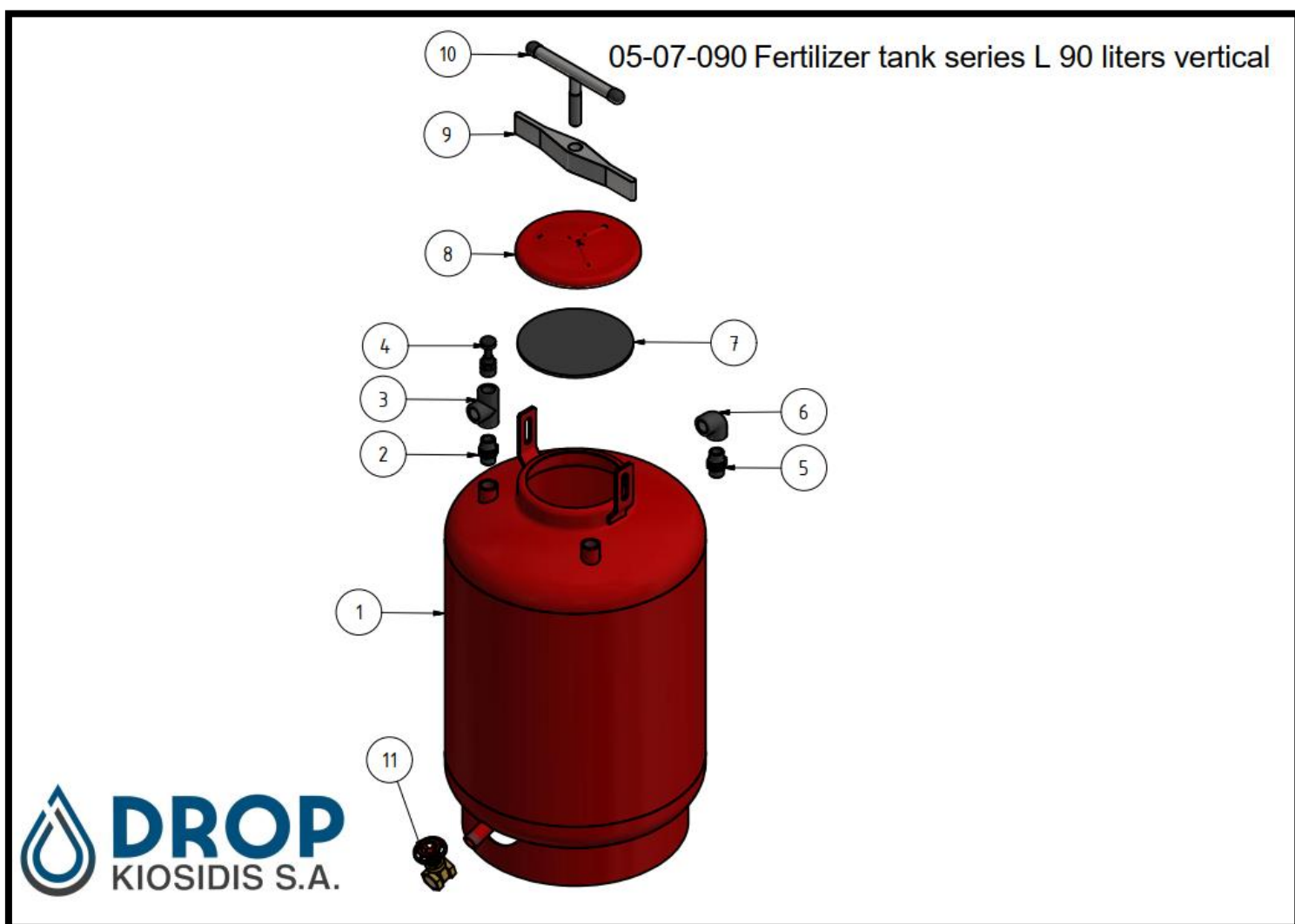
Part list 05-07-060

ITEM	QTY	PART NUMBER	TITLE
1	1	02-00-700-00-000	Fertilizer tank body L60
2	1	02-05-032	Nipple 3/4" TM-TM (PE)
3	1	02-05-133	Tee (PE) 3_4"x3_4"x3_4" female
4	1	02-11-002	Air release valve 3/4" polyacetal (POM)
5	1	02-05-032	Nipple 3/4" TM-TM (PE)
6	1	02-05-134	PE Elbow 3/4"
7	1	02-02-023	Lid seal for fertilizer tank L60-L300
8	1	02-01-002	Lid for fertilizer tank L60-L300
9	1	02-10-001	Lid bridge big (reinforced)
10	1	02-10-100	Lid closing handle M20x100
11	1	02-04-020	Gate valve 1"



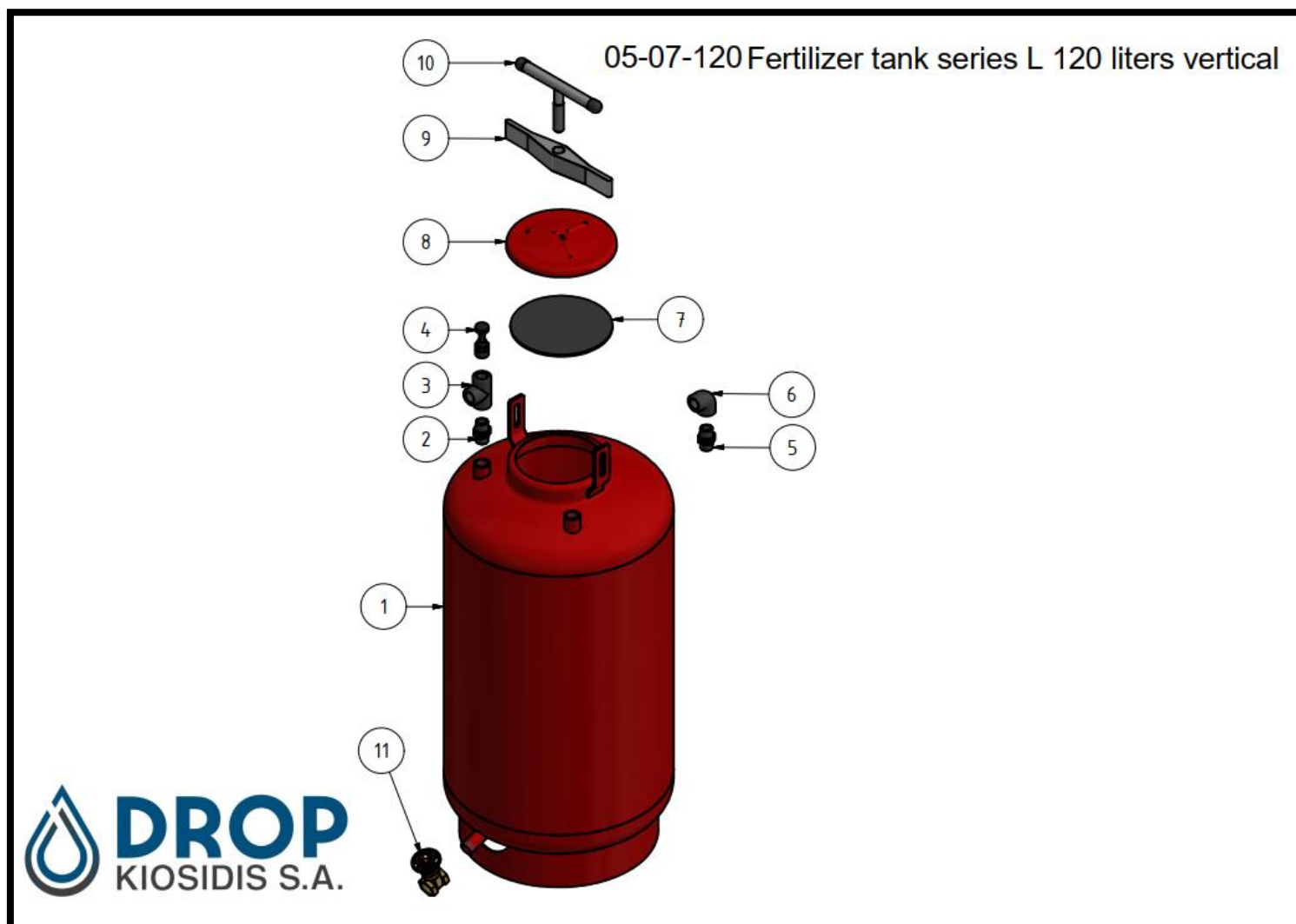
Part list 05-07-090

ITEM	QTY	PART NUMBER	TITLE
1	1	02-00-701-00-000	Fertilizer tank body L90
2	1	02-05-032	Nipple 3/4" TM-TM (PE)
3	1	02-05-133	Tee (PE) 3_4"x3_4"x3_4" female
4	1	02-11-002	Air release valve 3/4" polyacetal (POM)
5	1	02-05-032	Nipple 3/4" TM-TM (PE)
6	1	02-05-134	PE Elbow 3/4"
7	1	02-02-023	Lid seal for fertilizer tank L60-L300
8	1	02-01-002	Lid for fertilizer tank L60-L300
9	1	02-10-001	Lid bridge big (reinforced)
10	1	02-10-100	Lid closing handle M20x100
11	1	02-04-020	Gate valve 1"



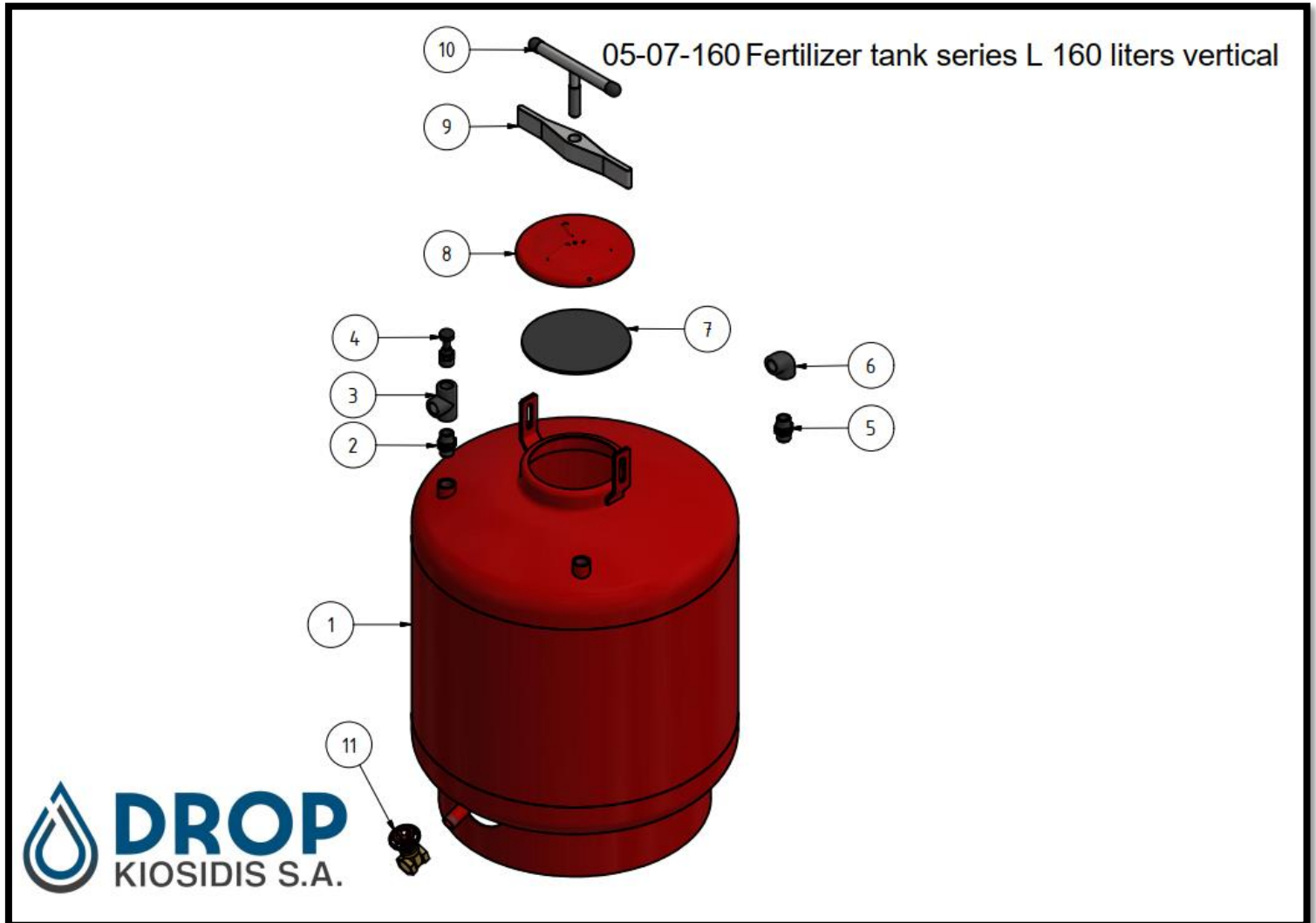
Part list 05-07-120

ITEM	QTY	PART NUMBER	TITLE
1	1	02-00-702-00-000	Fertilizer tank body L120
2	1	02-05-032	Nipple 3/4 " TM-TM (PE)
3	1	02-05-133	Tee (PE) 3_4"x3_4"x3_4" female
4	1	02-11-002	Air release valve 3/4" polyacetal (POM)
5	1	02-05-032	Nipple 3/4 " TM-TM (PE)
6	1	02-05-134	PE Elbow 3/4 "
7	1	02-02-023	Lid seal for fertilizer tank L60-L300
8	1	02-01-002	Lid for fertilizer tank L60-L300
9	1	02-10-001	Lid bridge big (reinforced)
10	1	02-10-100	Lid closing handle M20x100
11	1	02-04-020	Gate valve 1"

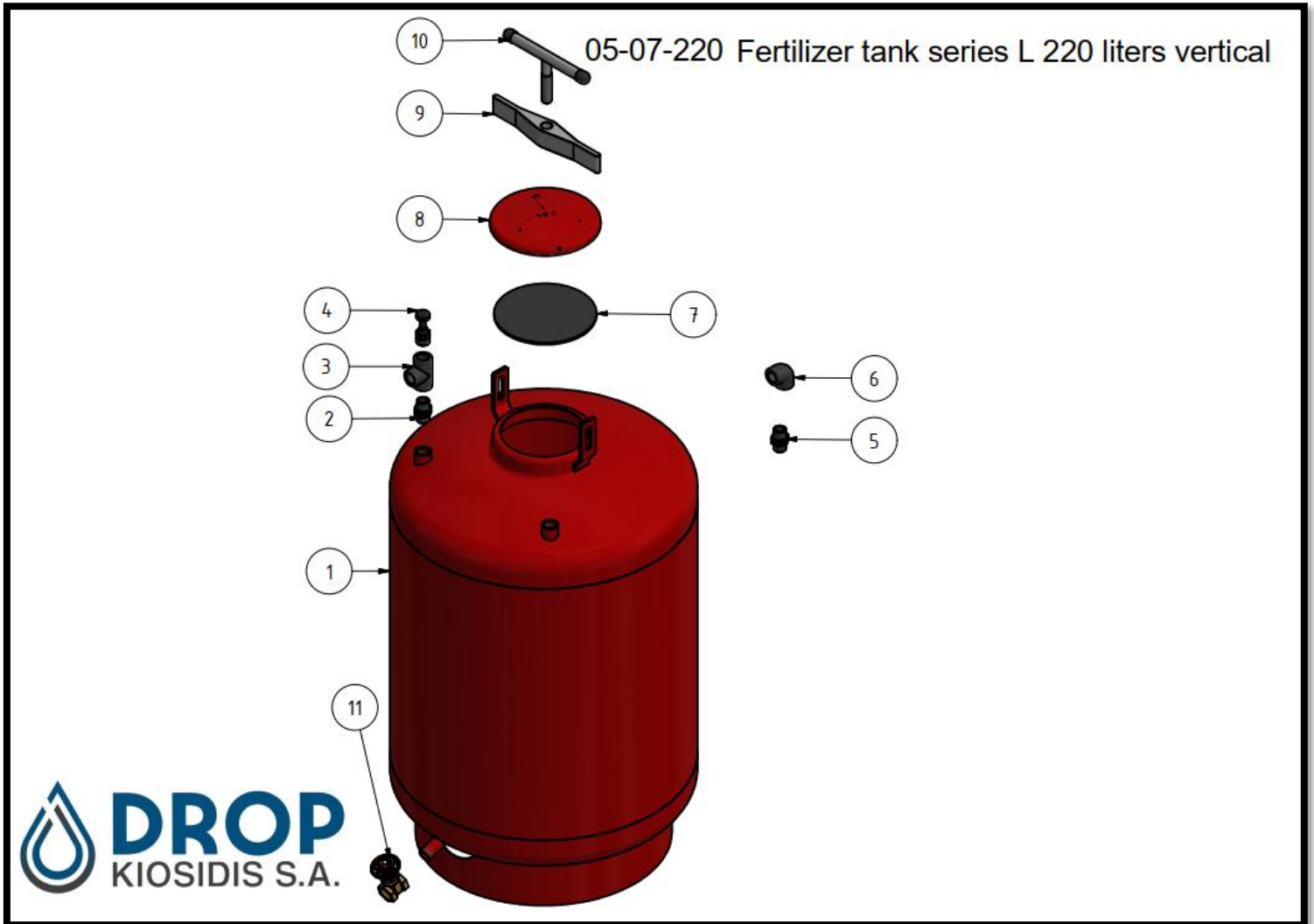


Part list 05-07-160

ITEM	QTY	PART NUMBER	TITLE
1	1	02-00-703-00-000	Fertilizer tank body L160
2	1	02-05-032	Nipple 3/4" TM-TM (PE)
3	1	02-05-133	Tee (PE) 3_4"x3_4"x3_4" female
4	1	02-11-002	Air release valve 3/4" polyacetal (POM)
5	1	02-05-032	Nipple 3/4" TM-TM (PE)
6	1	02-05-134	PE Elbow 3/4"
7	1	02-02-023	Lid seal for fertilizer tank L60-L300
8	1	02-01-002	Lid for fertilizer tank L60-L300
9	1	02-10-001	Lid bridge big (reinforced)
10	1	02-10-100	Lid closing handle M20x100
11	1	02-04-020	Gate valve 1"

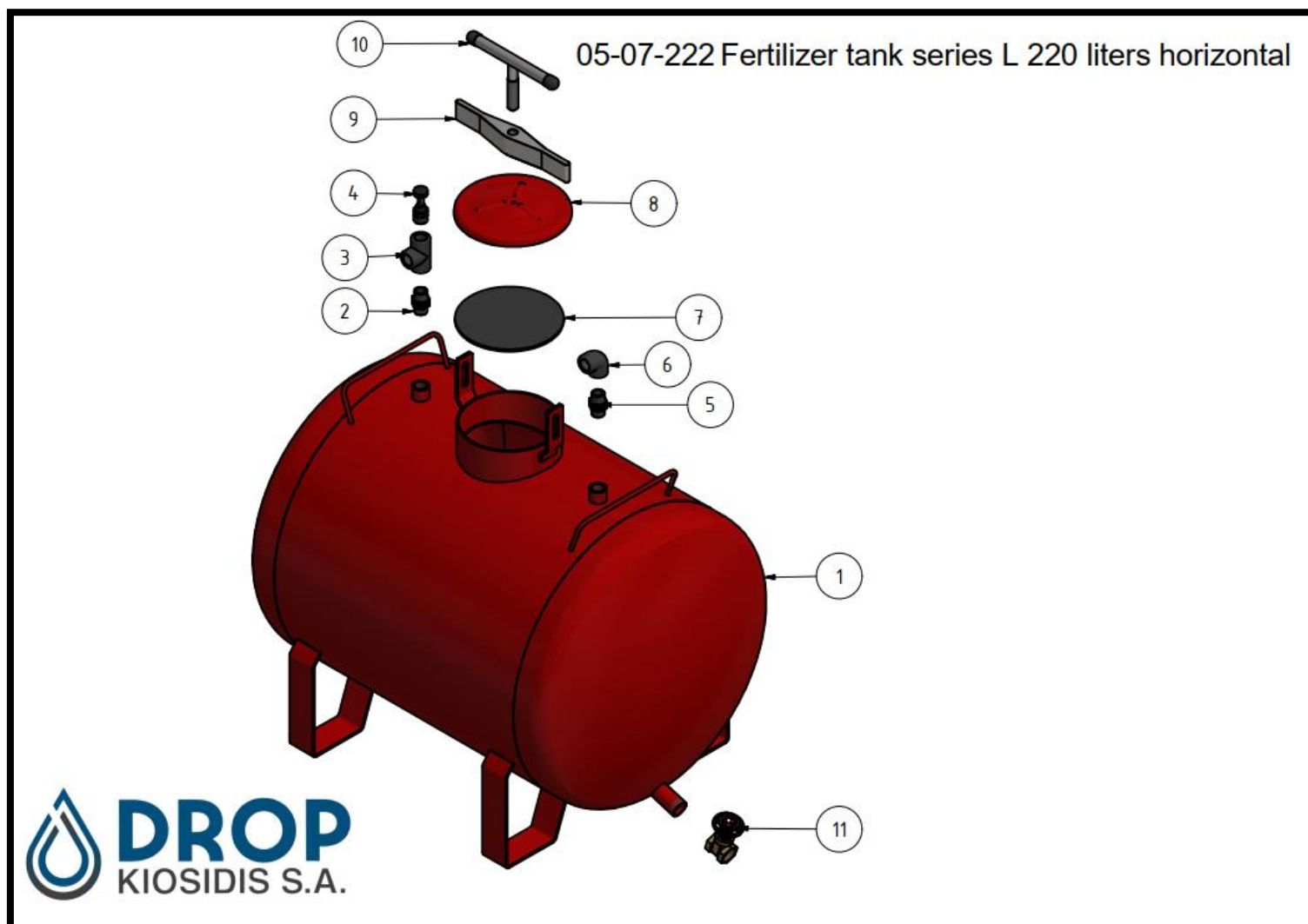


ITEM	QTY	PART NUMBER	TITLE
1	1	02-00-704-00-000	Fertilizer tank body L220
2	1	02-05-032	Nipple 3/4 " TM-TM (PE)
3	1	02-05-133	Tee (PE) 3_4"x3_4"x3_4" female
4	1	02-11-002	Air release valve 3/4" polyacetal (POM)
5	1	02-05-032	Nipple 3/4 " TM-TM (PE)
6	1	02-05-134	PE Elbow 3/4 "
7	1	02-02-023	Lid seal for fertilizer tank L60-L300
8	1	02-01-002	Lid for fertilizer tank L60-L300
9	1	02-10-001	Lid bridge big (reinforced)
10	1	02-10-100	Lid closing handle M20x100
11	1	02-04-020	Gate valve 1"



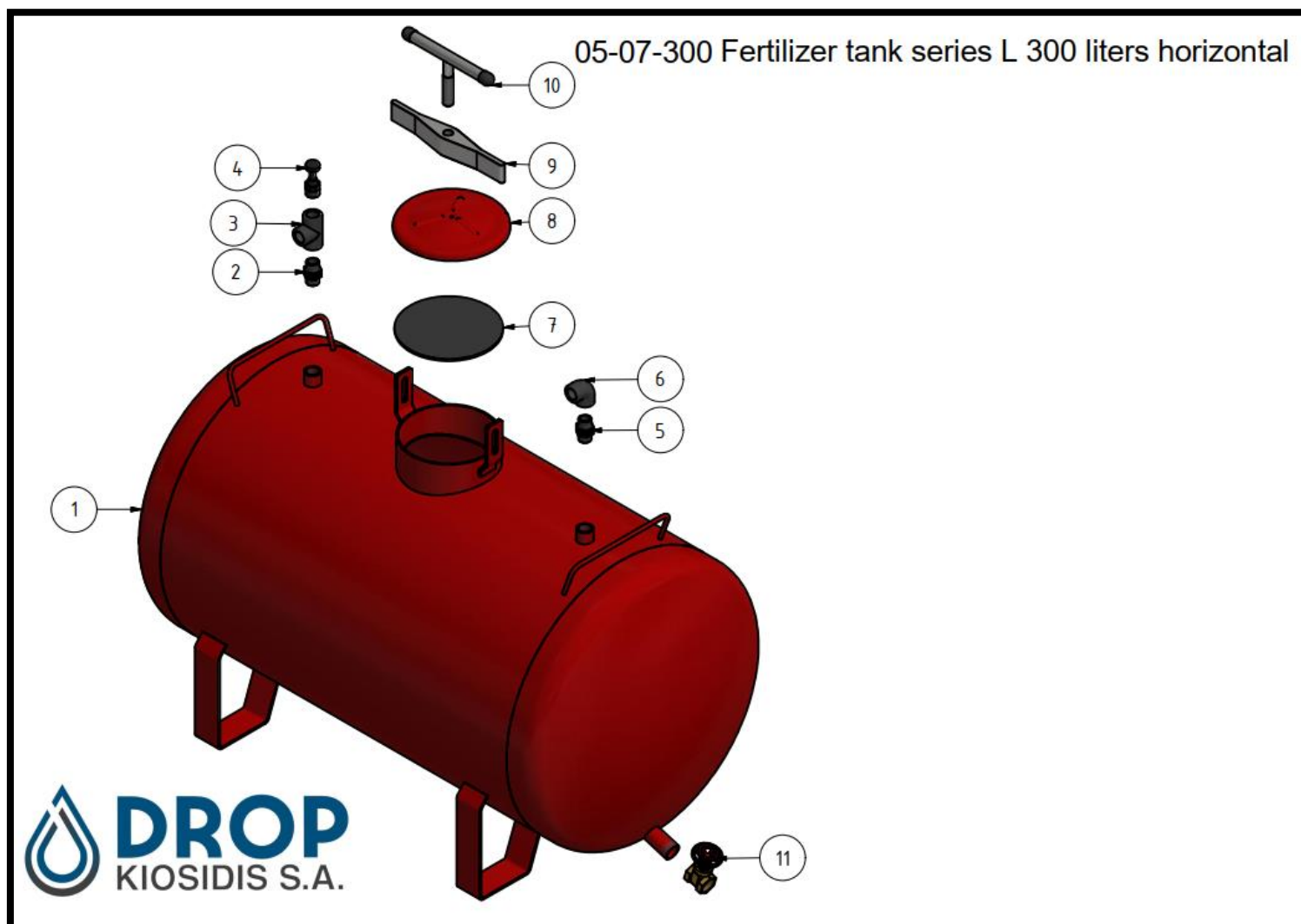
Part list 05-07-222

ITEM	QTY	PART NUMBER	TITLE
1	1	02-00-709-00-000	Fertilizer tank body L220 horizontal
2	1	02-05-032	Nipple 3/4 " TM-TM (PE)
3	1	02-05-133	Tee (PE) 3_4"x3_4"x3_4" female
4	1	02-11-002	Air release valve 3/4" polyacetal (POM)
5	1	02-05-032	Nipple 3/4 " TM-TM (PE)
6	1	02-05-134	PE Elbow 3/4 "
7	1	02-02-023	Lid seal for fertilizer tank L60-L300
8	1	02-01-002	Lid for fertilizer tank L60-L300
9	1	02-10-001	Lid bridge big (reinforced)
10	1	02-10-100	Lid closing handle M20x100
11	1	02-04-020	Gate valve 1"



Part list 05-07-300

ITEM	QTY	PART NUMBER	TITLE
1	1	02-00-705-00-000	Fertilizer tank body L300 horizontal
2	1	02-05-032	Nipple 3/4 " TM-TM (PE)
3	1	02-05-133	Tee (PE) 3_4"x3_4"x3_4" female
4	1	02-11-002	Air release valve 3/4" polyacetal (POM)
5	1	02-05-032	Nipple 3/4 " TM-TM (PE)
6	1	02-05-134	PE Elbow 3/4 "
7	1	02-02-023	Lid seal for fertilizer tank L60-L300
8	1	02-01-002	Lid for fertilizer tank L60-L300
9	1	02-10-001	Lid bridge big (reinforced)
10	1	02-10-100	Lid closing handle M20x100
11	1	02-04-020	Gate valve 1"



Part list 05-07-600

ITEM	QTY	PART NUMBER	TITLE
1	1	02-00-710-00-000	Fertilizer tank body L600 horizontal
2	1	02-05-977	Nipple 2" PE
3	1	02-05-188	Tee (PE) 2"
4	1	05-20-009	Air release valve 2"
5	1	02-05-0977	Nipple 2" PE
6	1	02-05-003	PE Elbow 2"x2"
7	1	02-02-010	Lid seal for C, S 4", L600
8	1	02-01-013	Lid for C 3" Super, C 4" (double), L600
9	1	02-10-001	Lid bridge big (reinforced)
10	1	02-10-100	Lid closing handle M20x100
11	1	02-04-021	Gate valve 2"

