

Disc Filters D series



APPLICATIONS: Disc filters are often used as a safety feature of an installation. They are also used as pre-filters for water intake.

USAGE: Disk filters-D series are used for the removal of low concentrations of both inorganic and organic suspended materials. The filter cartridge consists of a stack of plastic grooved disks packaged in a way that can offer both surface and depth filtration.

INSTALLATION: They are manufactured with steel or plastic body. The installation of the filter is done by following the direction of the flow arrow in the filter body. The water enters the inlet, passes through the cartridge, is filtered and exits from the outlet.

MAINTENANCE: The filter is cleaned manually, disassembling the lid and removing the cartridge. The cleaning of the cartridge should always be done when the difference of input-output (DP) is 0.5 bar greater than the pressure difference while the cartridge is clean.

Materials

BODY: Steel S235JR (also available in stainless steel AISI 304 & 316 or Reinforced polyamide, on request).

CARTRIDGE: PP grooved disks

GASKETS: EPDM

SURFACE TREATMENT: Chemical cleaning (pickling, phosphate) and electrostatic painting with polyester powder (available epoxy coatings suitable for drinking water).

PLASTIC FILTER

BODY: Reinforced polyamide

CARTRIDGE: Disks made of polypropylene

SEALS: NBR

CLAMP: Stainless steel AISI 304

| CODE | 05-03-200 | 05-03-300 | 05-03-400 |
|------------------------------------|--------------|--------------|--------------|
| DESCRIPTION | D 2'' manual | D 3'' manual | D 4'' manual |
| CONNECTIONS | TF, F, G | TF, F, G | TF, F, G |
| FILTRATION AREA (cm ²) | 1020 | 2110 | 3350 |
| FLOW (m ³ /h) | 25 | 50 | 80 |
| MAX PRESSURE (bar) | 8 | 8 | 8 |
| L (mm) | 470 | 500 | 700 |
| L1 (mm) | 270 | 520 | 770 |
| W1 (mm) | 460 | 680 | 920 |
| W2 (mm) | 240 | 240 | 240 |
| H (mm) | 302 | 460 | 580 |
| WEIGHT (kg) | 16.3 | 23.7 | 34.3 |

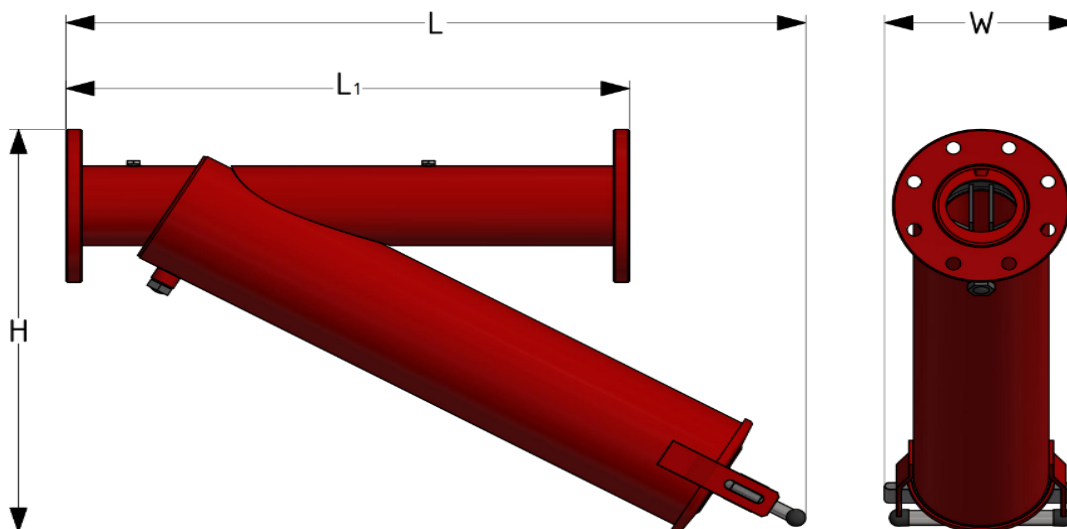
| CODE | 05-03-201 | 05-03-301 | 06-08-020 |
|------------------------------------|---------------|---------------|---------------|
| DESCRIPTION | D 2'' plastic | D 3'' plastic | D 4'' plastic |
| CONNECTIONS | TM, G | TM, G | G |
| FILTRATION AREA (cm ²) | 1190 | 1700 | 3400 |
| FLOW (m ³ /h) | 25 | 50 | 80 |
| MAX PRESSURE (bar) | 10 | 10 | 10 |
| L (mm) | 310 | 330 | 341 |
| H (mm) | 600 | 750 | 1200 |
| H1 (mm) | 135 | 150 | - |
| C (mm) | ¾ '' F | ¾ '' F | ¾ '' F |
| WEIGHT (kg) | 5.0 | 6.8 | 15.0 |

TM: Threaded male BSP

TF: Threaded Female BSP

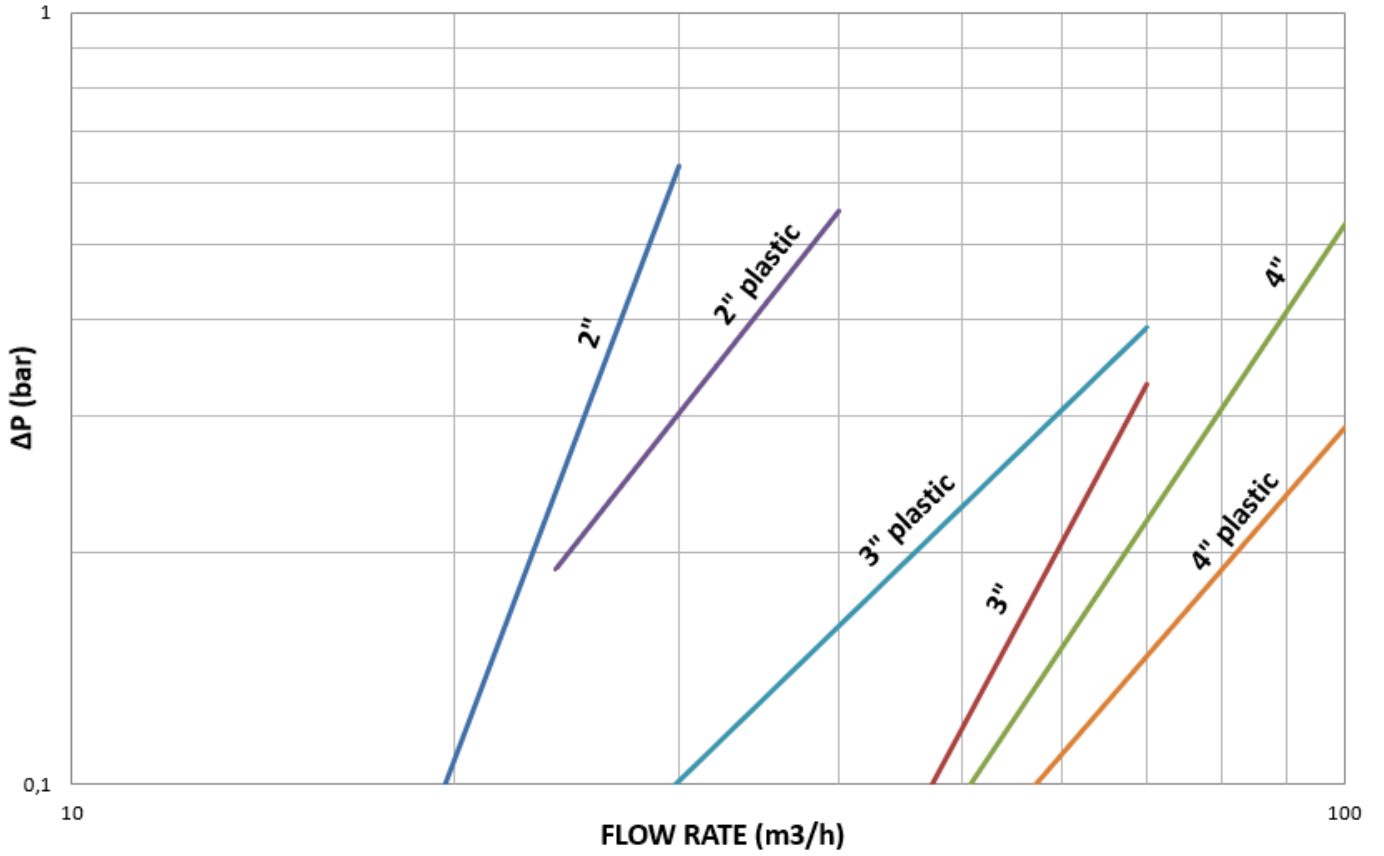
F: Flanged, DIN 2567 PN10

G: Grooved upon request



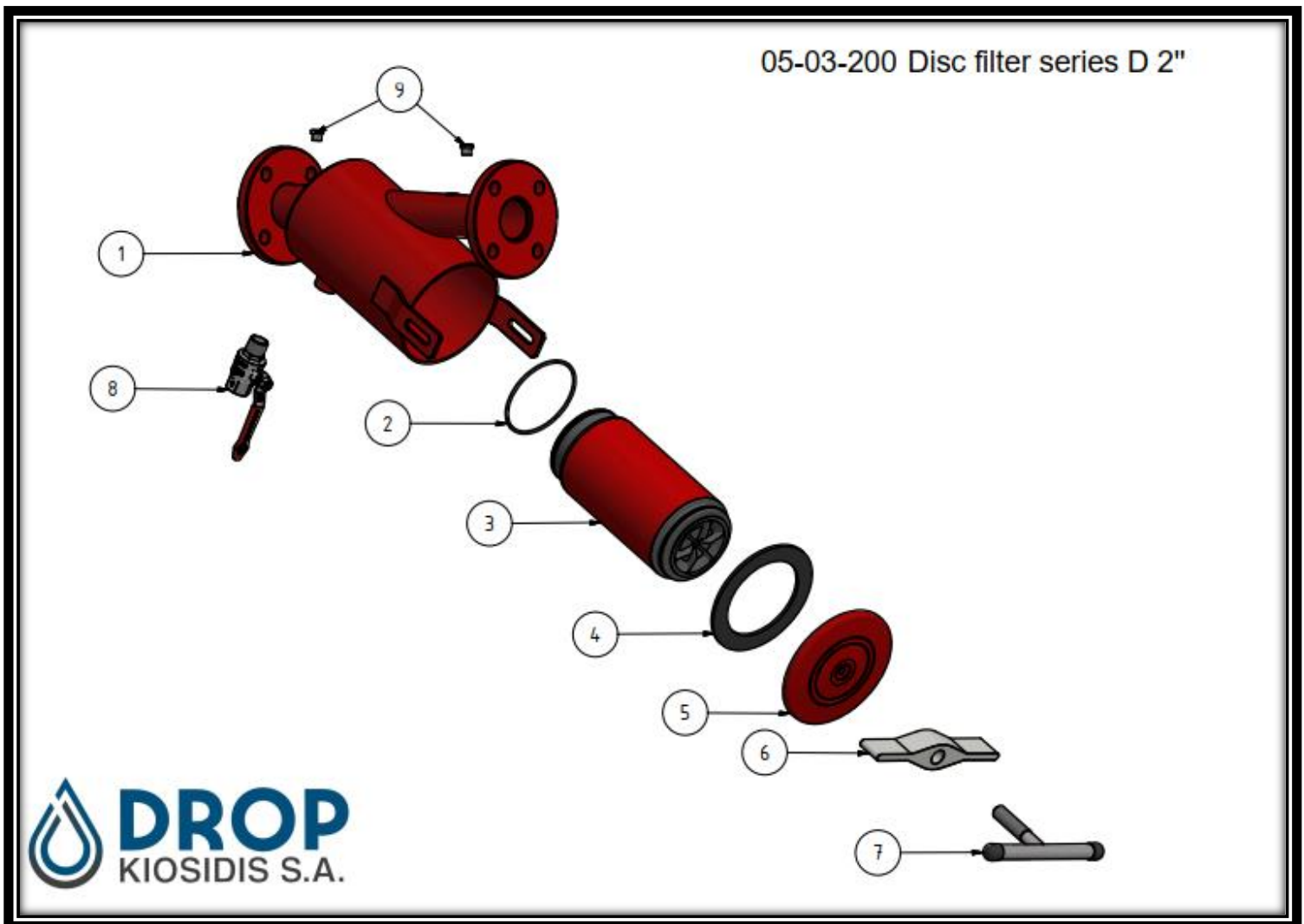
| COLOUR | MESH | MICRON |
|--------|------|--------|
| GREEN | 75 | 200 |
| RED | 120 | 130 |
| YELLOW | 155 | 100 |
| BLUE | 300 | 50 |
| PURPLE | 750 | 20 |
| BROWN | 1500 | 10 |

HEAD LOSS D SERIES



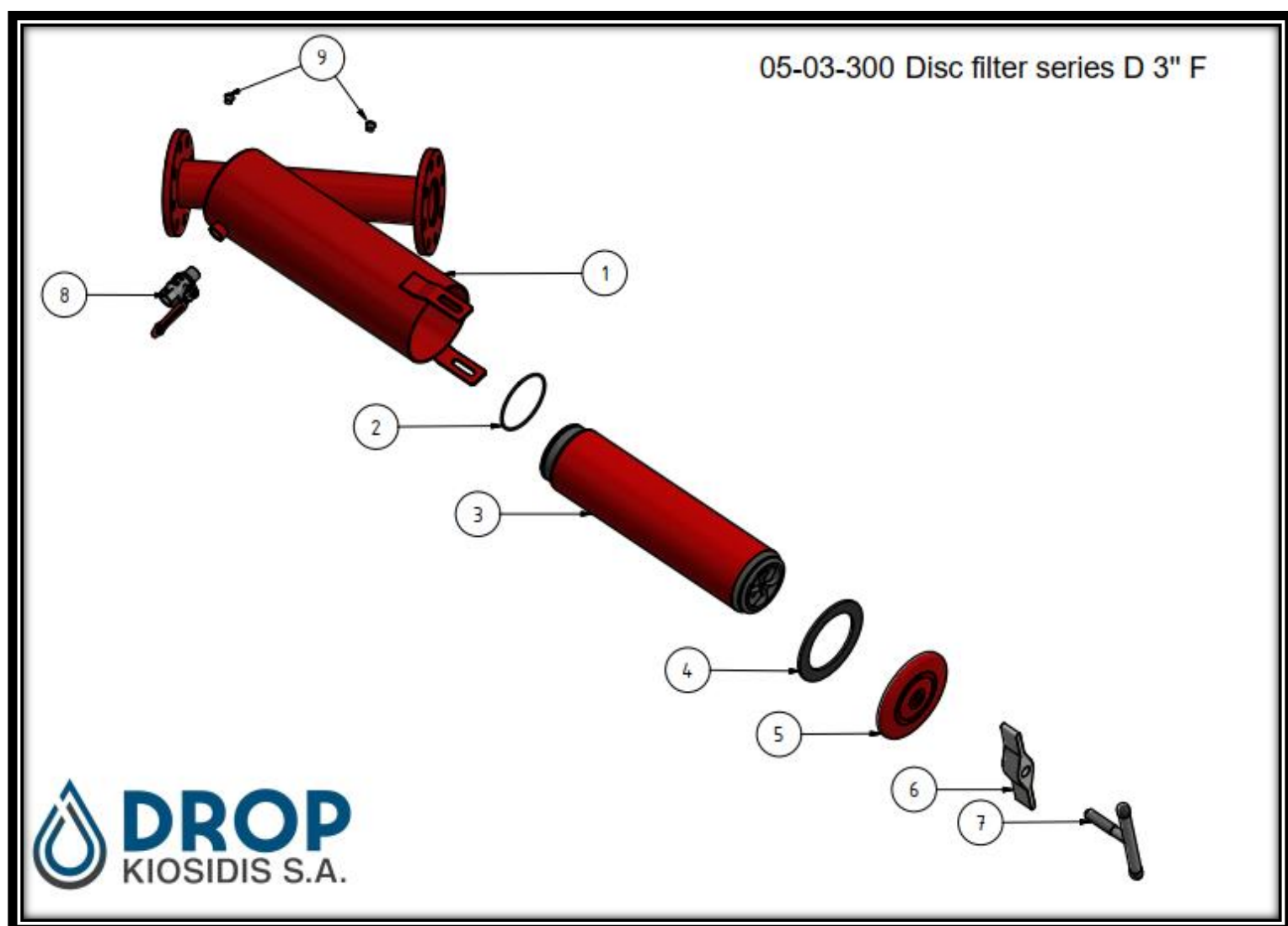
Part list 05-03-200

| ITEM | QTY | PART NUMBER | TITLE |
|------|-----|------------------|--|
| 1 | 1 | 02-00-300-03-000 | Filter housing D 2" F |
| 2 | 1 | 02-02-042 | O-ring ø102 mm*4 mm |
| 3 | 1 | 02-03-070 | Filter cartridge D 2" |
| 4 | 1 | 02-02-004 | Lid seal for D 2", 3", 4" |
| 5 | 1 | 02-01-019 | Lid for filter D 2", 3", 4" (new type) |
| 7 | 1 | 02-10-002 | Lid bridge small (reinforced) |
| 8 | 1 | 02-10-100 | Lid closing handle M20 x 100 |
| 8 | 1 | 02-04-106 | Ball valve ¾ " M-F |
| 9 | 2 | 02-05-350 | Beaded Plug T9 1/4 " DIN EN 10242 |



Part list 05-03-300

| ITEM | QTY | PART NUMBER | TITLE |
|------|-----|------------------|--|
| 1 | 1 | 02-00-305-03-000 | Filter housing D 3" F |
| 2 | 1 | 02-02-042 | O-ring $\varnothing 102$ mm*4 mm |
| 3 | 1 | 02-03-071 | Filter cartridge D 3" |
| 4 | 1 | 02-02-004 | Lid seal for D 2", 3", 4" |
| 5 | 1 | 02-01-019 | Lid for filter D 2", 3", 4" (new type) |
| 7 | 1 | 02-10-002 | Lid bridge small (reinforced) |
| 8 | 1 | 02-10-100 | Lid closing handle M20 x 100 |
| 8 | 1 | 02-04-106 | Ball valve $\frac{3}{4}$ " M-F |
| 9 | 2 | 02-05-350 | Beaded Plug T9 1/4" DIN EN 10242 |



Part list 05-03-400

| ITEM | QTY | PART NUMBER | TITLE |
|------|-----|------------------|--|
| 1 | 1 | 02-00-308-03-000 | Filter housing D 4" F |
| 2 | 1 | 02-02-042 | O-ring ø102 mm*4 mm |
| 3 | 1 | 02-03-072 | Filter cartridge D 4" |
| 4 | 1 | 02-02-004 | Lid seal for D 2", 3", 4" |
| 5 | 1 | 02-01-019 | Lid for filter D 2", 3", 4" (new type) |
| 7 | 1 | 02-10-002 | Lid bridge small (reinforced) |
| 8 | 1 | 02-10-100 | Lid closing handle M20 x 100 |
| 8 | 1 | 02-04-106 | Ball valve ¾ " M-F |
| 9 | 2 | 02-05-350 | Beaded Plug T9 1/4 " DIN EN 10242 |

