

Sprinkler Filters S series



APPLICATIONS: Agricultural activities, industrial activities

USAGE: Sprinkler filters S-series are used for the protection of sprinklers at an irrigation system from wear and blockage by the presence of large caliber sediment. S-series can also be used as pre-filters for the protection of other irrigation equipment such as pumps, valves, etc.

OPERATION: The installation of the filter is done by following the direction of the flow arrow in the filter body. The water enters the inlet, passes through the cartridge, is filtered and exits the outlet.

MAINTENANCE: The filter is cleaned manually, disassembling the lid and removing the cartridge. The cleaning of the cartridge should always be done when the DP is 0.5 bar greater than the pressure difference while the cartridge is clean.

Materials

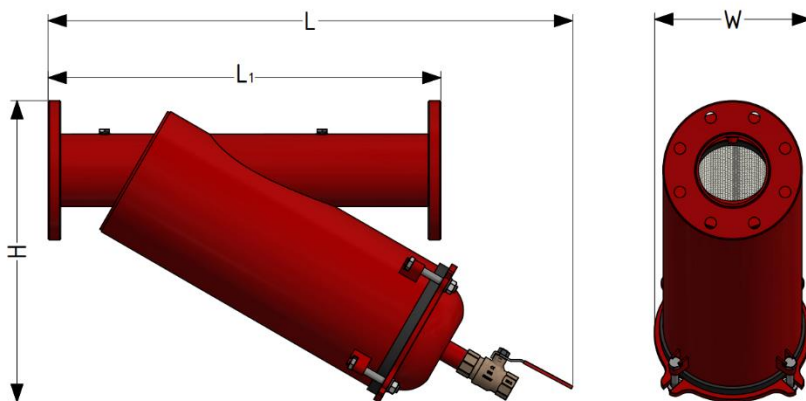
BODY: Steel S235JR (also available in stainless steel AISI 304 & 316, on request).

CARTRIDGE: u-PVC (DIN8061-8062) / stainless steel screen (AISI 304) / perforated stainless steel (for models 6'' and bigger).

GASKETS: EPDM

SURFACE TREATMENT: Chemical cleaning (pickling, phosphate) and electrostatic painting with polyester powder (available epoxy coatings suitable for drinking water).

CODE	05-04-056	05-04-057	05-04-058	05-04-089	05-04-059
DESCRIPTION	S 2" ø 1.5mm	S 3" ø 1.5mm	S 4" ø 1.5mm	S 5" ø 1.5mm	S 6" ø 1.5mm
CONNECTIONS	TF, F, G	TF, F, G	TF, F, G	F, G	F, G
FILTRATION AREA (cm ²)	785	1400	2130	3200	3200
MAX FLOW (m ³ /h)	25	50	80	150	150
MAX PRESSURE (bar)	10	10	10	10	10
L1 (mm)	470	500	620	750	750
L (mm)	560	690	830	830	830
W (mm)	190	190	250	285	285
H (mm)	320	420	476	580	590
WEIGHT (kg)	14.2	19.2	31.0	53.0	55.8



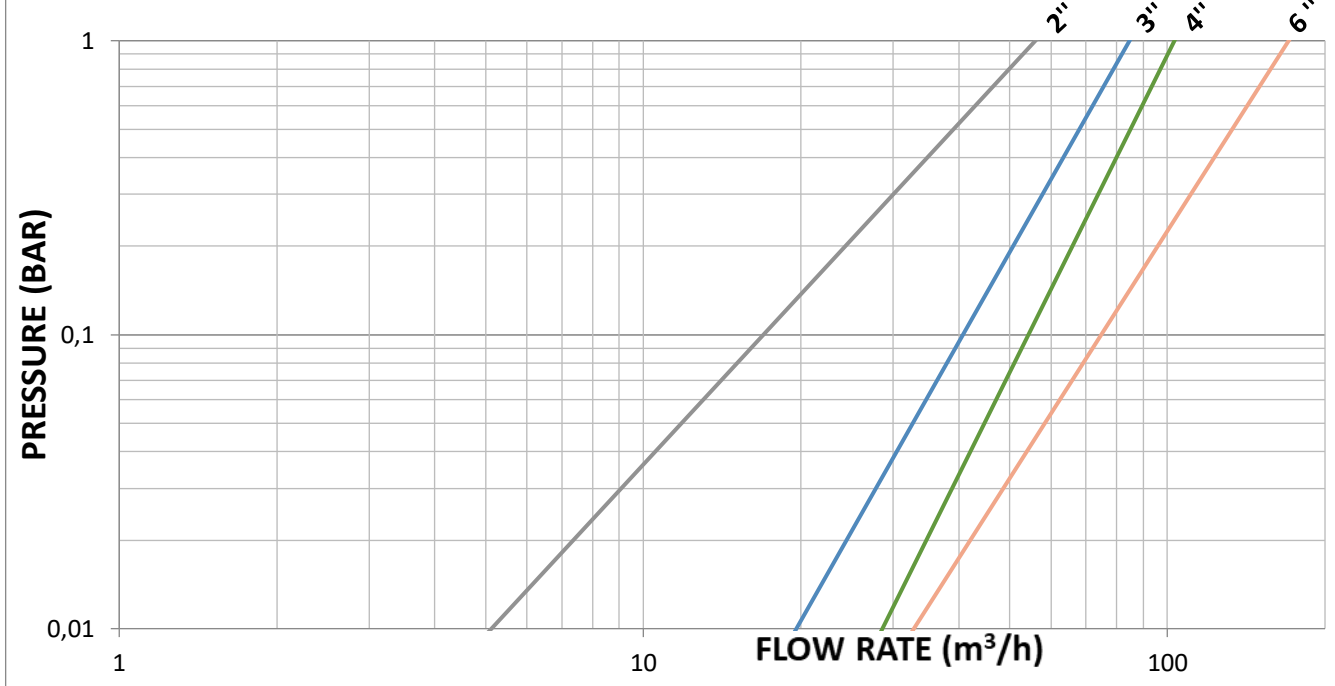
TM: Threaded male BSP, TF: Threaded Female BSP

F: Flanged, DIN 2576 PN 10, G: Grooved upon request

Also available with automatic cleaning system (Auto-flush) upon request

Available cartridge perforations: ø 1mm, ø 1.5mm, ø 2mm, ø 4mm

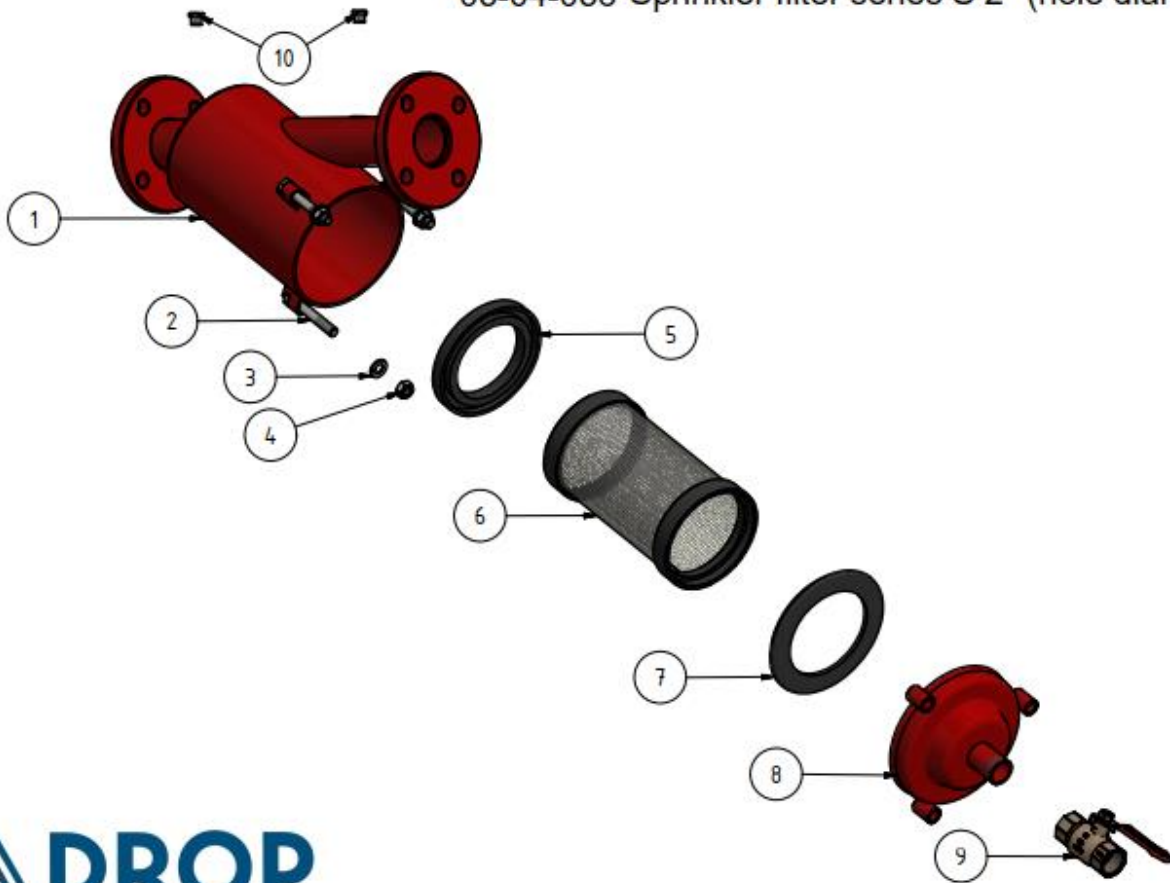
HEAD LOSS S SERIES



Part list 05-04-056

ITEM	QTY	PART NUMBER	TITLE
1	1	02-00-101-03-000	Filter housing S 2" F
2	3	02-10-119	Bolt M12x80 DIN 931
3	3	02-10-249	Washer M 12
4	3	02-10-306	Nut M12 DIN934 galvanized
5	1	02-02-006	Internal seal for S, O 3", K 2", 2 1/2", 3" and brush
6	1	02-03-024-00-015	Filter cartridge S 2", ø 1.5mm
7	1	02-02-007	Lid seal for K 2", 3", SY 2", 5" S 2"
8	1	02-01-060	Lid for filter K, O, S 2", 2 1/2", 3, RBR
9	1	02-04-002	Ball valve 1" F-F
10	2	02-05-350	Beaded Plug T9 1/4" DIN EN 10242

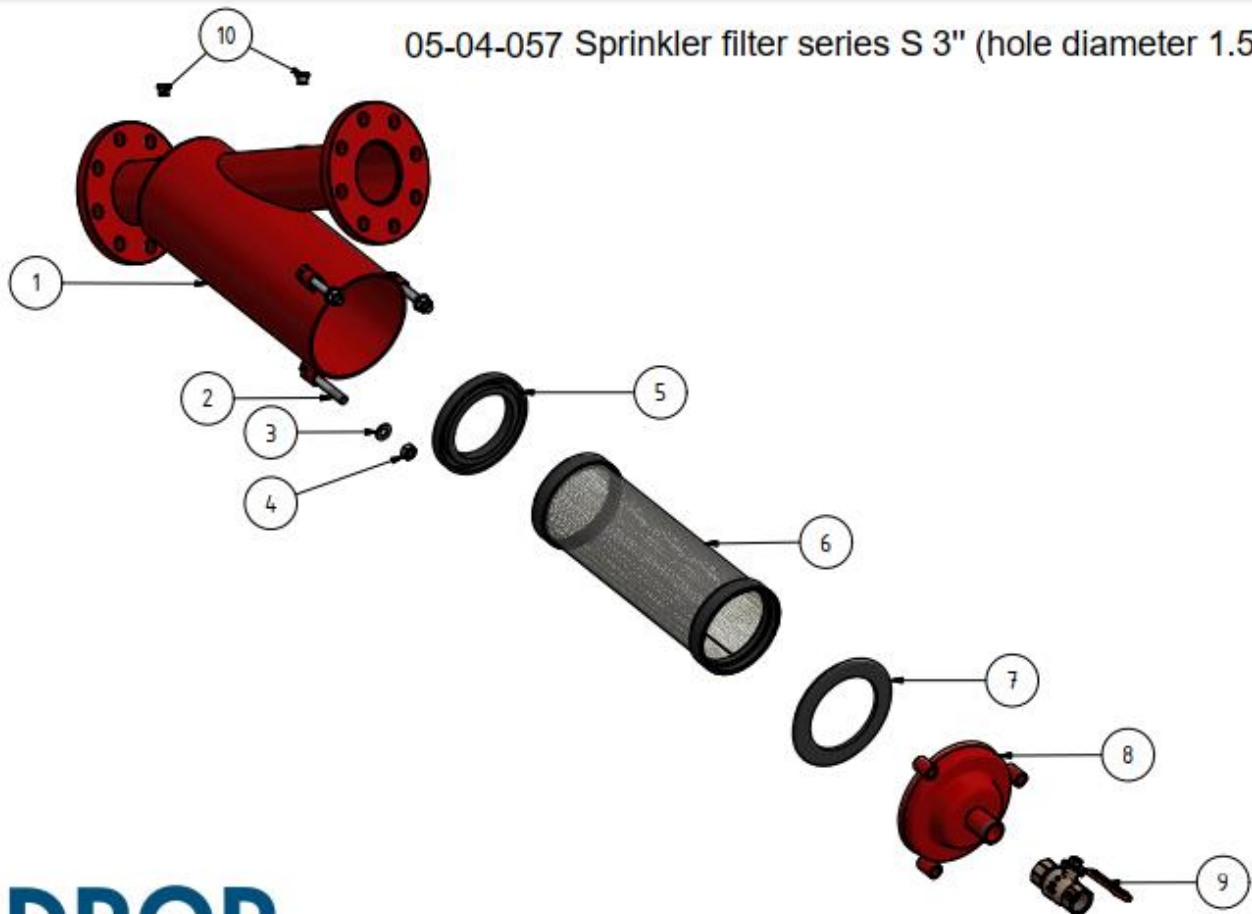
05-04-056 Sprinkler filter series S 2" (hole diameter 1.5mm)



Part list 05-04-057

ITEM	QTY	PART NUMBER	TITLE
1	1	02-00-107-03-000	Filter housing K, S 3" RBR
2	3	02-10-119	Bolt M12x80 DIN 931
3	3	02-10-249	Washer M 12
4	3	02-10-306	Nut M12 DIN934 galvanized
5	1	02-02-006	Internal seal for S, O 3", K 2", 2 1/2", 3" and brush
6	1	02-03-017-00-015	Filter cartridge S 3", ø 1.5mm
7	1	02-02-007	Lid seal for K 2", 3", SY 2", 5" S 2", 3"
8	1	02-01-060	Lid for filter K, O, S 2", 2 1/2", 3, RBR
9	1	02-04-002	Ball valve 1" F-F
10	2	02-05-350	Beaded Plug T9 1/4" DIN EN 10242

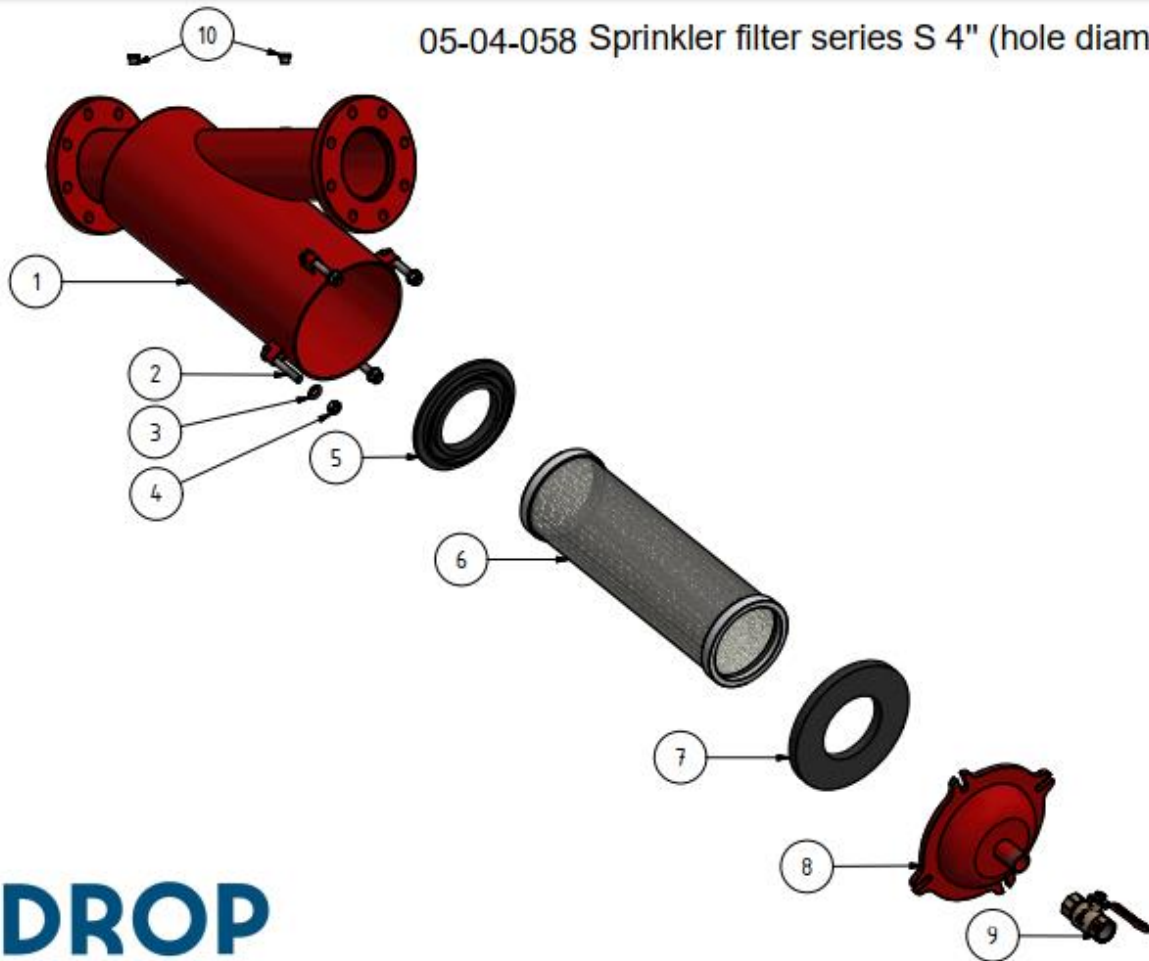
05-04-057 Sprinkler filter series S 3" (hole diameter 1.5mm)



Part list 05-04-058

ITEM	QTY	PART NUMBER	TITLE
1	1	02-00-012-03-000	Filter housing K, S 4" F
2	3	02-10-119	Bolt M12x80 DIN 931
3	3	02-10-249	Washer M 12
4	3	02-10-306	Nut M12 DIN934 galvanized
5	1	02-02-013	Internal seal for C 2" double, C 2" long, C 3" double
6	1	02-03-016-00-015	Filter cartridge S 4", ϕ 1.5mm
7	1	02-02-008	Lid seal for O, K 4" & RBR, C 3" double super, C 4" double
8	1	02-01-012	Lid for filter K, O, S 4" brush with bolt closing system
9	1	02-04-002	Ball valve 1" F-F
10	2	02-05-350	Beaded Plug T9 1/4" DIN EN 10242

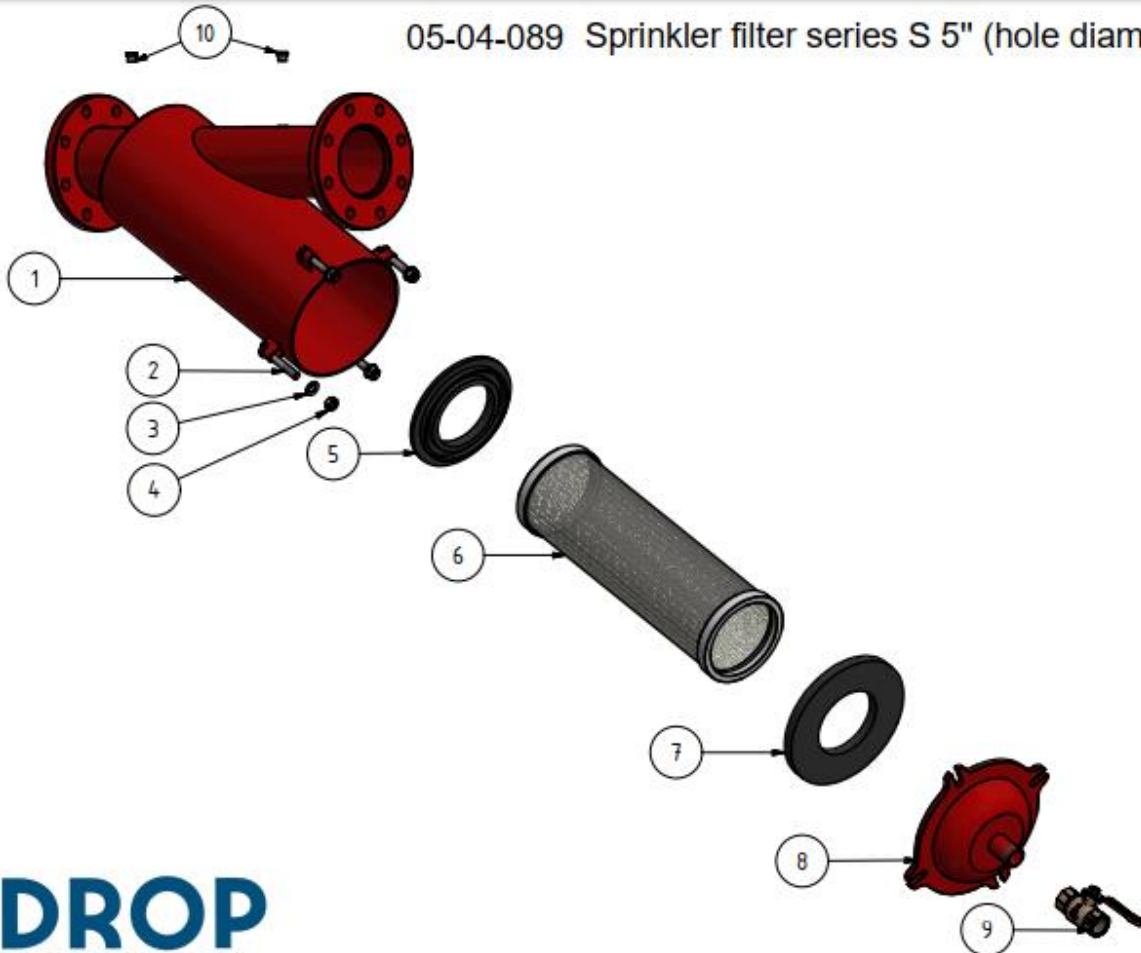
05-04-058 Sprinkler filter series S 4" (hole diameter 1.5 mm)



Part list 05-04-089

ITEM	QTY	PART NUMBER	TITLE
1	1	02-00-020	Filter housing O, K, S 5" (L570)
2	3	02-10-114	Bolt M16x100
3	3	02-10-200	Washer M 16
4	3	02-10-303	Nut M16
5	1	02-02-020	Internal seal for O, K 6" & RBR, S 5", 6", SY, C 6"
6	1	02-03-036-00-015	Filter cartridge S 5", 6", ϕ 1.5mm
7	1	02-02-019	Lid seal for O, K 5", 6" & RBR, S, C, SY 5", 6"
8	1	02-01-023	Lid for filter K, O, S 5", 6" with bolt closing system
9	1	02-04-021	Gate valve 2"
10	2	02-05-350	Beaded Plug T9 1/4" DIN EN 10242

05-04-089 Sprinkler filter series S 5" (hole diameter 1.5 mm)



Part list 05-04-059

ITEM	QTY	PART NUMBER	TITLE
1	1	02-00-021	Filter housing O, K, S 6'' (L570)
2	3	02-10-114	Bolt M16x100
3	3	02-10-200	Washer M 16
4	3	02-10-303	Nut M16
5	1	02-02-020	Internal seal for O, K 6'' & RBR, S, SY, C 6''
6	1	02-03-036-00-015	Filter cartridge S 5'', 6'', ϕ 1.5mm
7	1	02-02-019	Lid seal for O, K 5'', 6'' & RBR, S, C, SY 5'', 6''
8	1	02-01-023	Lid for filter K, O, S 5'', 6'' with bolt closing system
9	1	02-04-021	Gate valve 2''
10	2	02-05-350	Beaded Plug T9 1/4" DIN EN 10242

