

## Compact filtration KE series



**APPLICATIONS:** They are usually installed for filtering water from drilling or wells for irrigation purposes.

**USAGE:** The KE-series compact filtration systems consist of a hydro-cyclone and a screen (horizontal or circulation) or disc filter. These compact systems are mainly used for the removal of large amounts of inorganic particles. The system also includes a fertilizer control head which, with a fertilizer tank or a dosing pump, can be used for fertigation.

**OPERATION:** The KE-series is a complete unit which can be installed immediately to the irrigation system. When the untreated water enters the hydro-cyclone, the centrifugal force causes the particles to spin at high speed onto the filter's walls in a tangential direction. Those particles then are gathered in the collection chamber at the bottom of the filter. The water, cleaned from the heavier particles, passes through the outlet where the screen or disk filter will continue the treatment from the remaining lighter particles.

**MAINTENANCE:** The filter is cleaned manually, disassembling the lid and removing the cartridge. The cleaning of the cartridge should always be done when the difference of input-output (DP) is 0.5 bar greater than the pressure difference while the cartridge is clean.

### Materials

**BODY:** Steel S235JR (also available in stainless steel AISI 304 & 316 or Reinforced polyamide, on request).

**CARTRIDGE:** u-PVC (DIN8061)/ stainless steel screen (AISI 304)/ perforated stainless steel (for models greater than 6'')

**GASKETS:** EPDM

**SURFACE TREATMENT:** Chemical cleaning (pickling, phosphate) and electrostatic painting with polyester powder (available epoxy coatings suitable for drinking water).

CODE	05-10-100	05-10-150	05-10-200	05-10-201	05-10-203
DESCRIPTION	KE with O 1''	KE with O 1 ½''	KE with O 2'''	KE with K 2''	KE with K 2''' RBR
CONNECTIONS	TF	TF	TF	TF	TF
FLOW (m <sup>3</sup> /h)	5-12	10-16	15-25	15-25	15-25
MAX PRESSURE (bar)	8	8	8	8	8
L (mm)	685	835	1110	1110	1110
H (mm)	825	1120	1600	1600	1600
h1 (mm)	185	155	115	115	115
h2 (mm)	155	145	200	200	200
WEIGHT (kg)	24.0	30.0	68.0	69.0	67.0

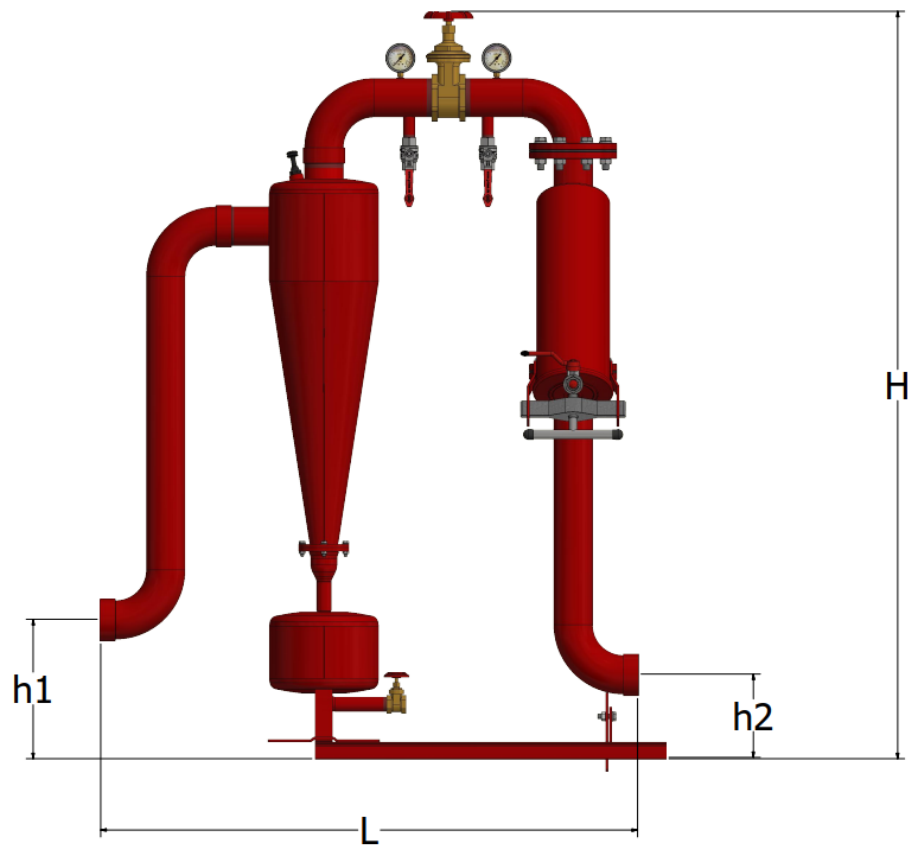
CODE	05-10-250	05-10-253	05-10-255	05-10-300	05-10-303
DESCRIPTION	KE with O 2 ½''	KE with K 2 ½''	KE with K 2 ½'' RBR	KE with O 3''	KE with K 3''
CONNECTIONS	TF	TF	TF	TF	TF
FLOW (m <sup>3</sup> /h)	20-35	20-35	20-35	30-50	30-50
MAX PRESSURE (bar)	8	8	8	8	8
L (mm)	1190	1190	1190	1230	1230
H (mm)	1655	1655	1655	1705	1705
h1 (mm)	145	145	145	215	215
h2 (mm)	185	185	185	195	195
WEIGHT (kg)	81.0	83.0	81.0	90.0	90.0

*\*KE series has the flexibility of 4 different options:*

- *O 1'', 1 ½'', 2'', 3'', 4'' series*
- *K 1'', 1 ½'', 2'', 3'', 4'', 5'', 6'' series and RBR*
- *D 2'', 3'', 4'' series*

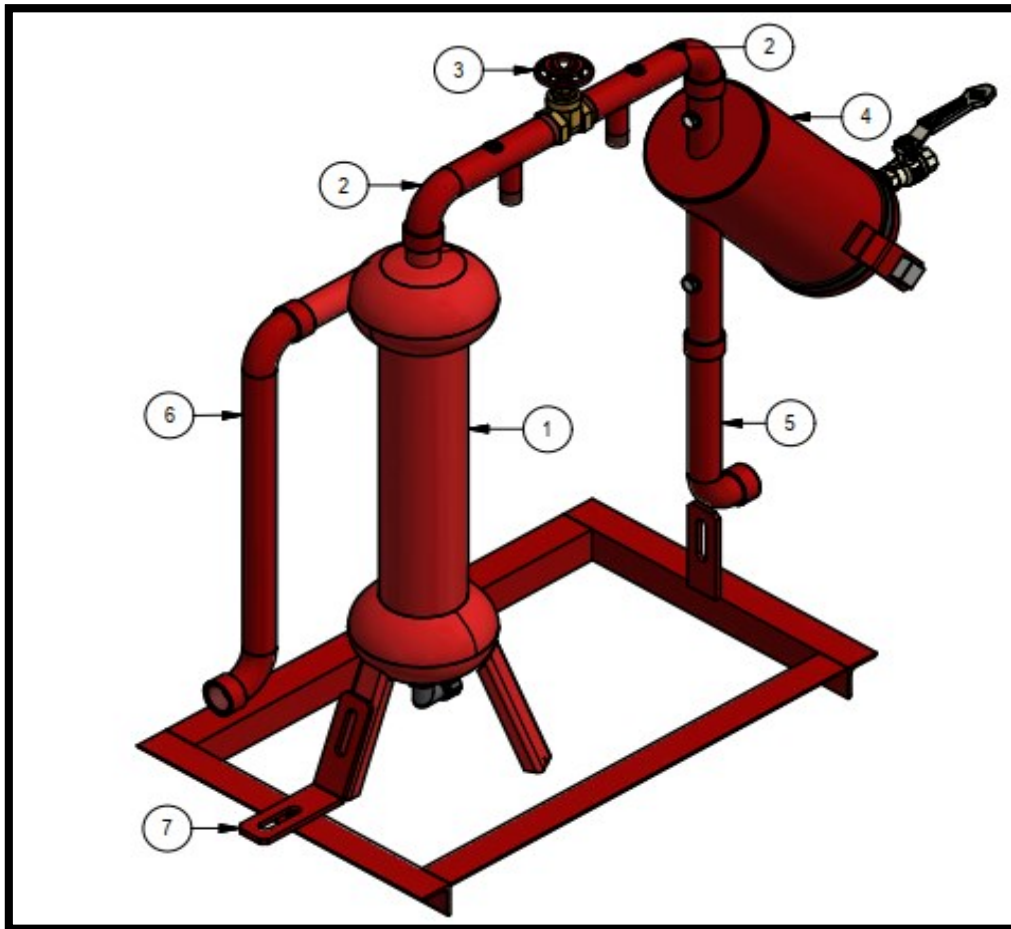
Ask one of the Drop team members and you can get more information of different sizes.

CODE	05-10-307	05-10-400	05-10-404	05-10-407
DESCRIPTION	KE with K 3'' RBR	KE with O 4''	KE with K 4''	KE with K 4'' RBR
CONNECTIONS	TF	TF	TF	TF
FLOW (m3/h)	30-50	50-80	50-80	50-80
MAX PRESSURE (bar)	8	8	8	8
L (mm)	1230	1615	1615	1615
H (mm)	1705	1900	1900	1900
h1 (mm)	215	240	240	240
h2 (mm)	195	172	172	172
WEIGHT (kg)	88.0	138.0	138.0	138.0



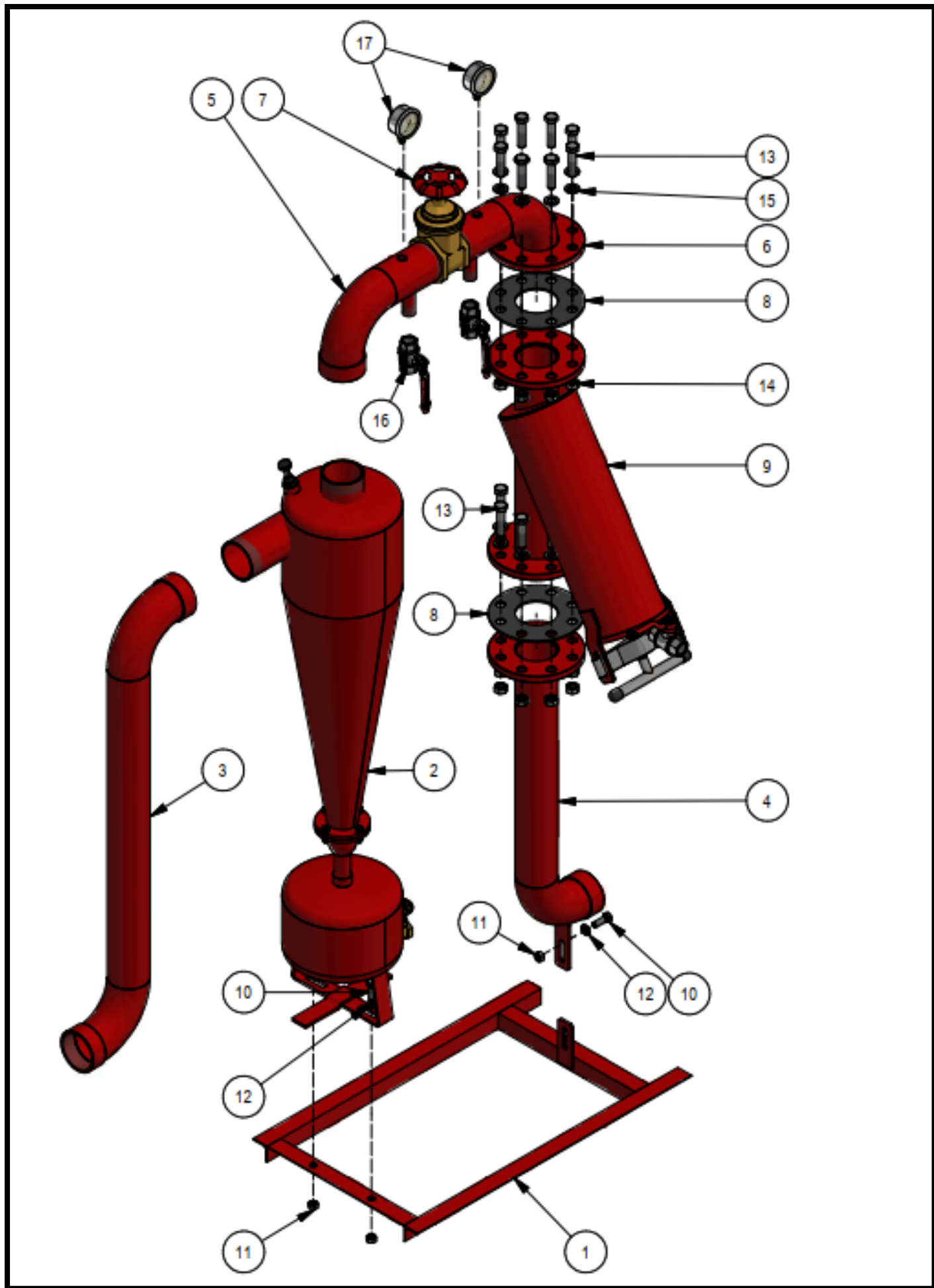
## Part list 05-10-100

ITEM	QTY	PART NUMBER	TITLE
1	1	05-06-100-05-000	Hydrocyclone series Y 1" TM
2	2	02-05-459	Elbow KE 1" threaded
3	1	02-04-020	Gate valve 1"
4	1	05-00-102	Filter O 1" (0,25) TM
5	1	02-05-483	Outlet collector KE 1"
6	1	02-05-480	Outlet collector KE 1"
7	1	02-08-014	Base for KE 1"



## Part list 05-10-030

ITEM	QTY	PART NUMBER	TITLE
1	1	02-08-011	Support base for KE 2"-3"
2	1	05-06-305-05	Hydrocyclone series Y 3" modular TM
3	1	02-05-492	Inlet for compact filtration system KE 3"
4	1	02-05-472	Outlet for compact filtration system KE-3"
5	1	02-05-462	Elbow KE 3" female threaded
6	1	02-05-463	Elbow KE 3" flanged
7	1	02-04-023	Gate valve 3" bronze
8	2	02-02-056	Flange gasket DN80
9	1	(1) 05-00-300 (2) 05-01-300 (3) 05-05-301	Horizontal filter series O 3" F Circulation filter series K 3" Circulation filter series K 3" RBR
10	3	02-10-131	Bolt galvanized M12X35 (DIN 933)
11	3	02-10-306	Nut galvanized M12 DIN934
12	3	02-10-250	Washer DIN 125 M12
13	16	02-10-377	Bolt M16 X 65 DIN931
14	16	02-10-303	Nut M16
15	16	02-10-200	Washer M 16
16	2	02-04-001	Ball valve 3/4" female threaded
17	2	06-02-007	Glycerin pressure gauge 0-16 bar inox



## Part list 05-10-501

ITEM	QTY	PART NUMBER	TITLE
1	1	05-06-600-03-000	Hydrocyclone series Y 6" F
2	1	05-05-501	Circulation filter series K 5" RBR F
3	1	02-05-493-1	Inlet for compact filtration system KE 5"
4	4	02-02-058	Gasket 5" (DN125)
5	1	02-05-458-001	Elbow KE 5" flanged with butterfly valve
6	1	02-05-473-1	Outlet for compact filtration system KE-5"
7	1	02-08-012-1	Base KE 5"
8	32	02-10-161	Bolt M16x60 GALV. DIN931
9	32	02-10-200	Washer M 16
10	32	02-10-303	Nut M16
11	2	02-05-350	Beaded Plug T9 1/4" DIN EN 10242
12	2	02-10-306	Nut galvanized M12 DIN934
13	2	02-10-250	Washer DIN 125 M12
14	2	02-10-131	Bolt galvanized M12X35 (DIN 933)

