

Basket strainer filters BSF series



APPLICATIONS: Where and when extra protection is required. It can also help for the prevention of slag in suction lines and the pumps.

USAGE: BSF-series pre-filters are used to protect irrigation network equipment such as pumps and valves but also to avoid wear and blockage by the presence of large caliber sediment. All filters are PN10 (16 bar upon request is also possible). The product range can serve a large number of the flow.

INSTALLATION: The installation is very simple and can be done by following the direction of the flow arrow in the filter body.

OPERATION: Water enters the inlet, passes through the basket, is filtered and exits from the outlet.

MAINTENANCE: The filter is cleaned manually, disassembling the lid and removing the basket. The cleaning of the basket should always be done when the difference of input-output (DP) is 0.5 bar greater than the pressure while the basket is clean.

Materials

BODY: Steel S235JR (also available in stainless steel AISI 304 & 316, on request).

BASKET: Perforated stainless steel (1-4 mm), 120+80 mesh Plain Dutch

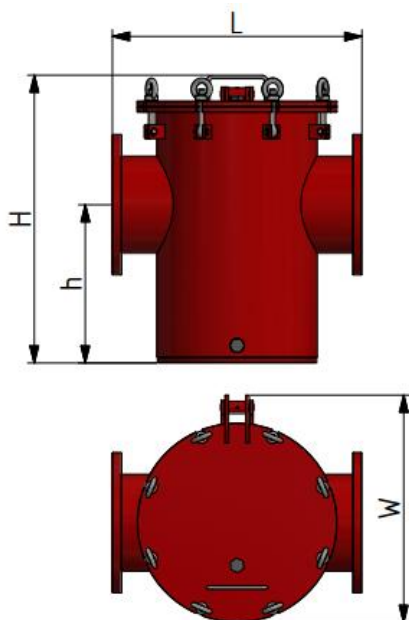
GASKETS: EPDM

SURFACE TREATMENT: Chemical cleaning (pickling, phosphate) and electrostatic painting with polyester powder (available epoxy coatings suitable for drinking water).

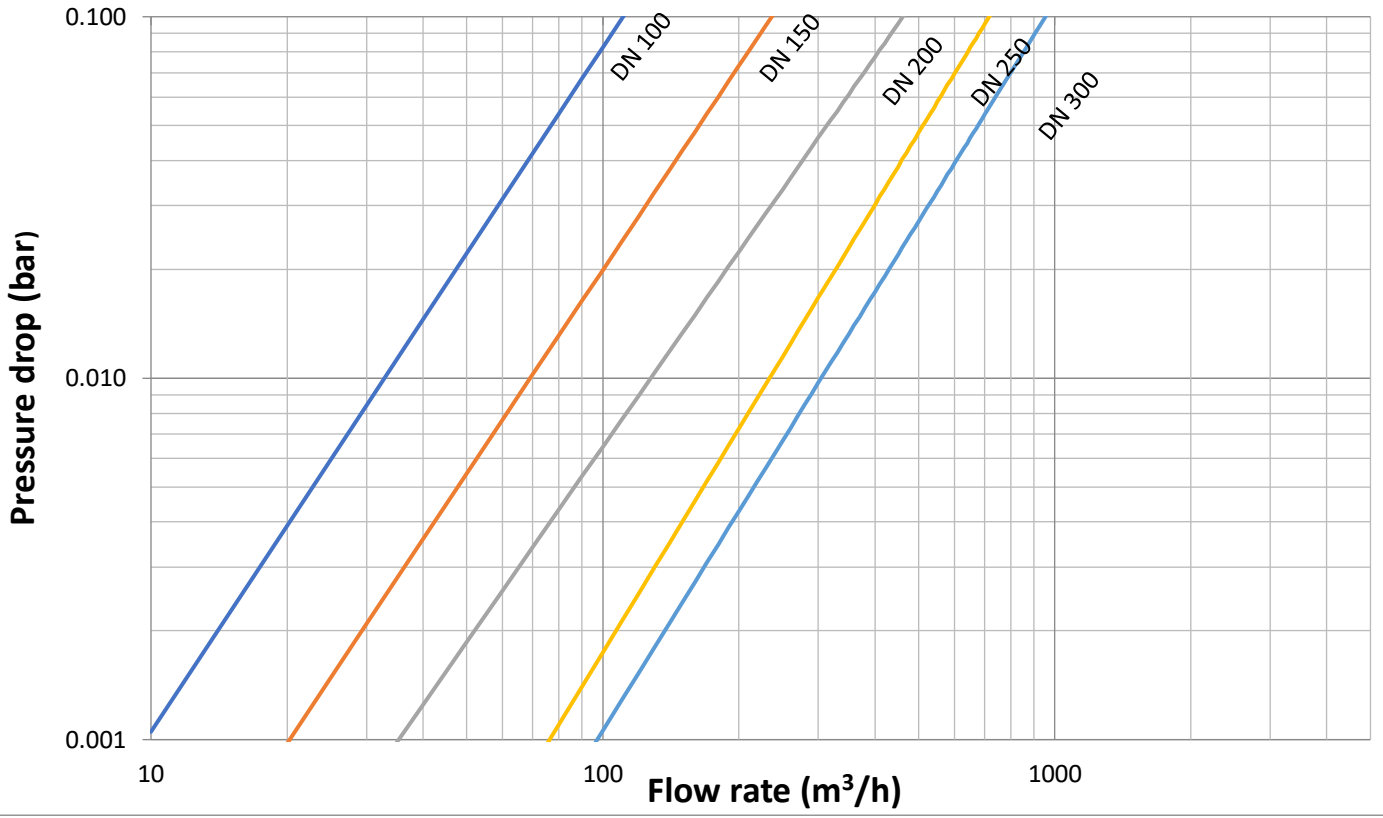
CODE	05-14-100	05-14-150	05-14-200	05-14-250	05-14-300
DESCRIPTION	4''	6''	8''	10''	12''
CONNECTIONS	F	F	F	F	F
NOMINAL FLOW (m ³ /h)	100	200	300	420	620
MAX PRESSURE (bar)	10	10	10	10	10
L (mm)	440	520	640	700	800
H (mm)	550	675	905	809	910
h (mm)	330	400	610	445	580
A (mm)	314	430	490	640	640
WEIGHT (kg)	40.0	63.0	86.0	141.0	154.0

F: Flanged, DIN 2567 PN10

Other standards and sizes upon request

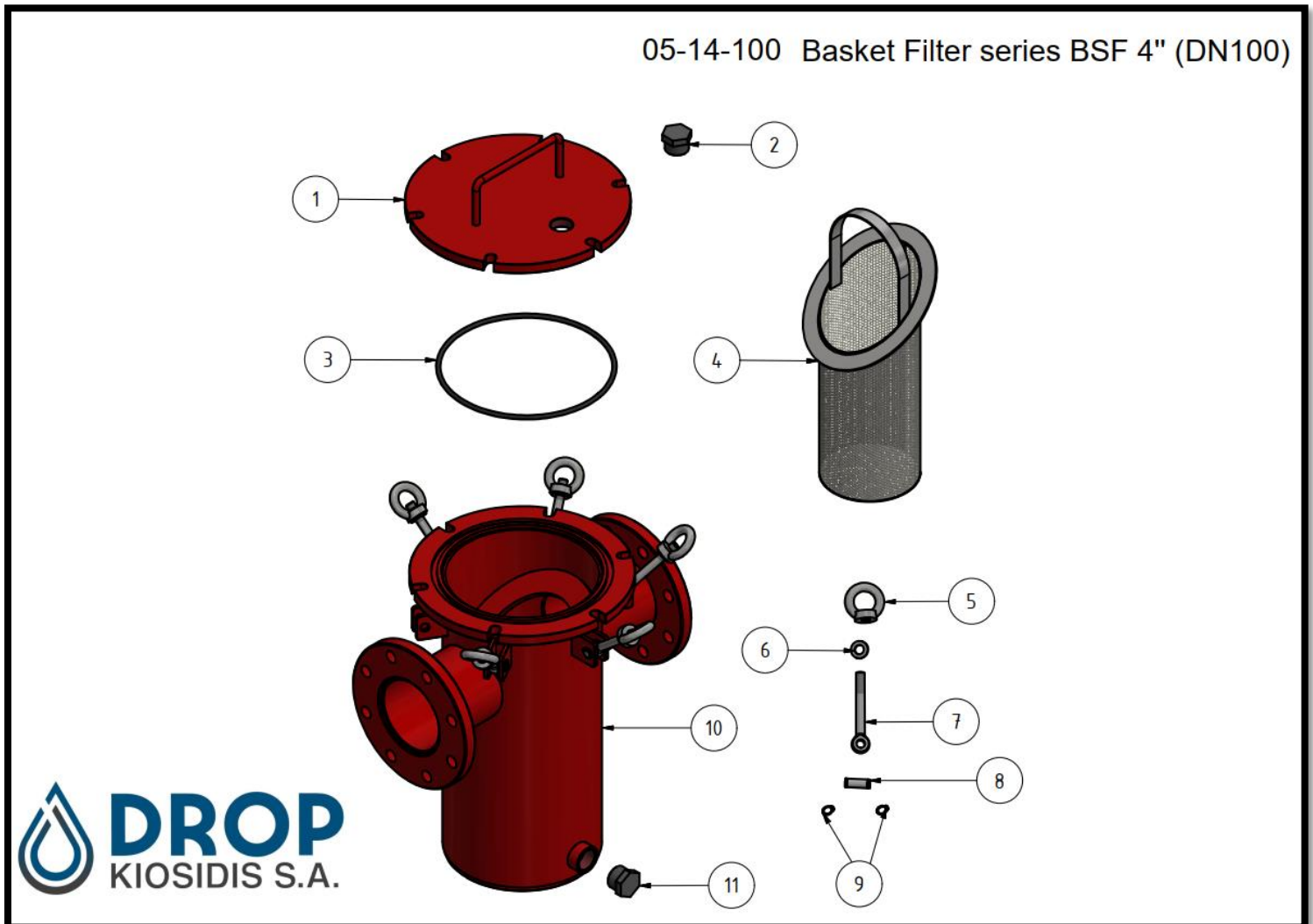


HEAD LOSS BASKET BSF SERIES



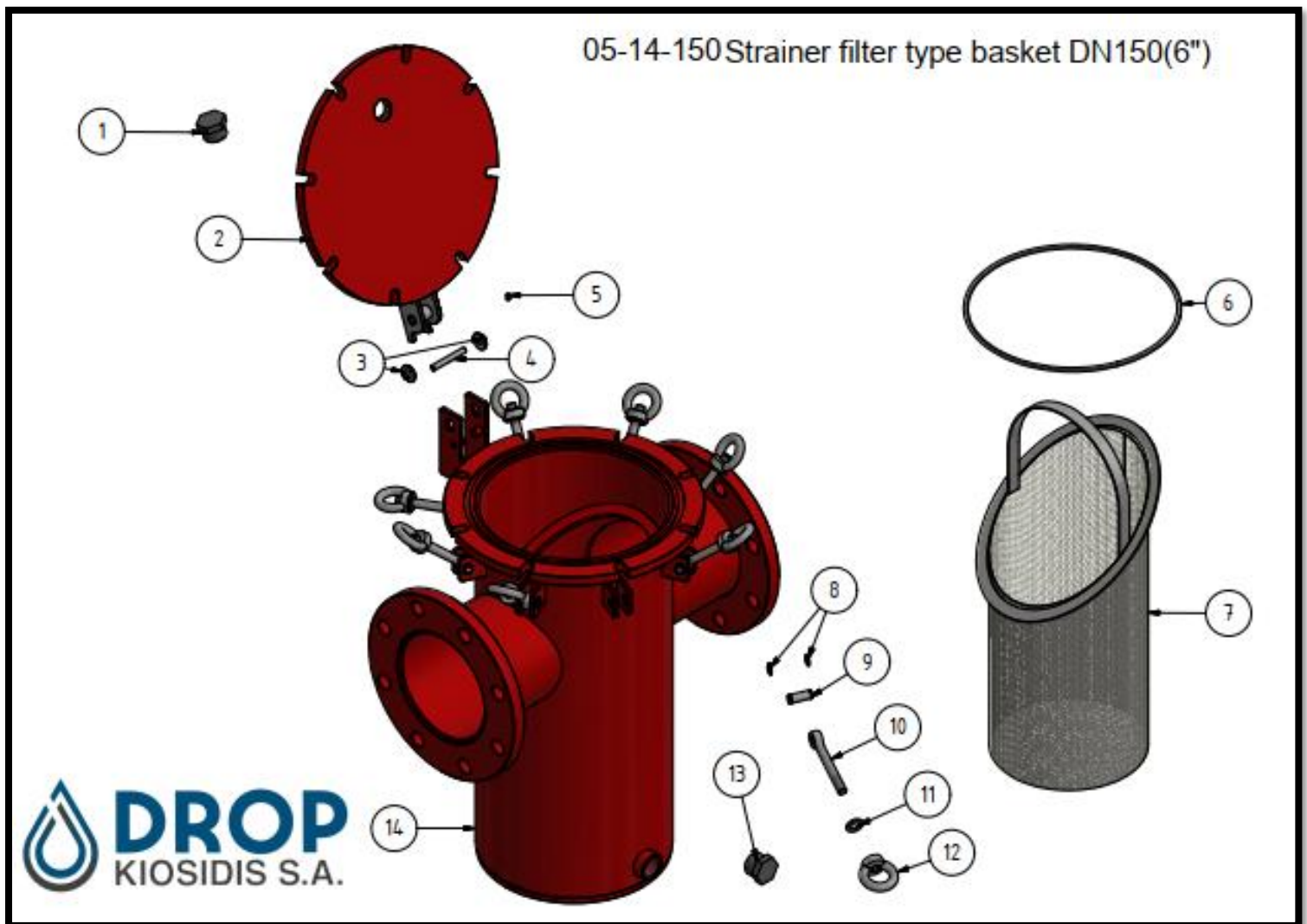
Part list 05-14-100

ITEM	QTY	PART NUMBER	TITLE
1	1	02-01-100	Lid for basket filter 4"
2	1	02-05-342	Plug 1" TM (PE)
3	1	02-02-090	O-ring basket d. 6
4	1	02-03-030	Filter cartridge basket 4" DN 100
5	6	02-10-185	Eye nut DIN582 M12
6	6	02-10-250	Washer M12 DIN 125
7	6	02-10-184	Eye bolt DIN 444 M12X100
8	6	00-03-303	Pin d12 filter basket DN 150 inox
9	12	02-13-046	Retaining ring for shaft DIN 471 - 12x1
10	1	02-00-844	Filter housing basket 4"
11	1	02-05-342	Plug 1" TM (PE)



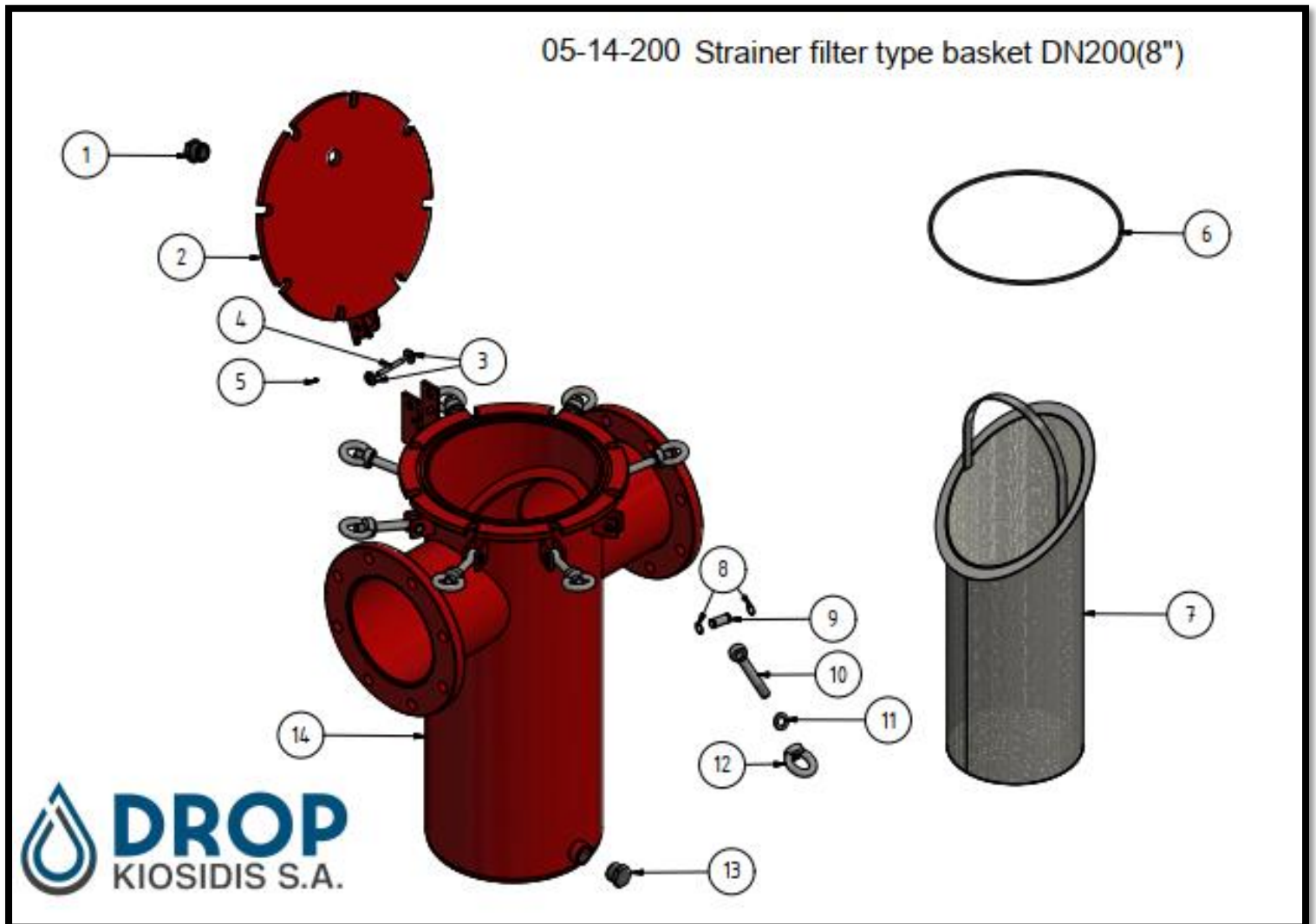
Part list 05-14-150

ITEM	QTY	PART NUMBER	TITLE
1	1	02-05-342	Plug 1" TM (PE)
2	1	02-01-101	Lid for basket filter 6"
3	2	02-01-417	Spacer PE d8
4	1	02-13-055	Pin d8 inox
5	1	02-10-099	Hexagon socket screw with cup point DIN 916 M 6x8
6	1	02-02-090	O-ring basket d.6
7	1	02-03-031	Filter cartridge basket DN 150
8	16	02-13-046	Retaining ring for shaft DIN 471 - 12x1
9	8	00-03-303	Pin d12 filter basket DN 150 inox
10	8	02-10-184	Eye bolt DIN 444 M12X100
11	8	02-10-250	Washer M12 DIN 125
12	8	02-10-185	Eye nut DIN582 M12
13	1	02-05-342	Plug 1" TM (PE)
14	1	02-00-846	Filter housing basket 6"



Part list 05-14-200

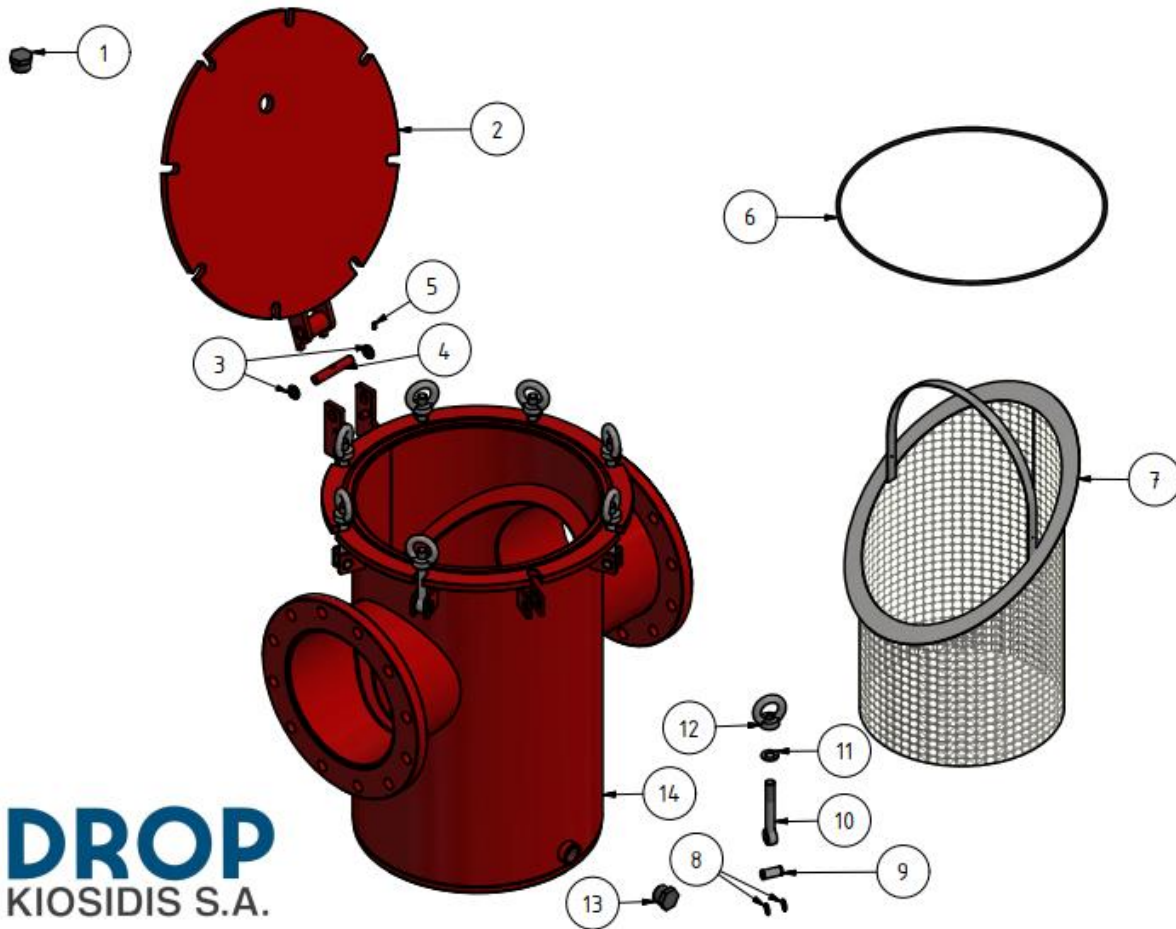
ITEM	QTY	PART NUMBER	TITLE
1	1	02-05-342	Plug 1" TM (PE)
2	1	02-01-102	Lid for basket filter 8"
3	2	02-01-417	Spacer PE
4	1	02-13-055	Pin $\Phi 8$ inox
5	1	02-10-099	Hexagon socket screw with cup point DIN 916 M6x8
6	1	02-02-090	O-ring basket d.6
7	1	02-03-032	Filter cartridge basket DN 200
8	16	02-13-045	Retaining ring for shaft DIN 471 - 16
9	8	00-03-303-1	Pin $\Phi 16$ filter basket DN 200 inox
10	8	02-10-190	Eye bolt DIN 444 M16X120
11	8	02-10-200	Washer M16 DIN 125
12	8	02-10-191	Eye nut DIN582 M16
13	1	02-05-342	Plug 1" TM (PE)
14	1	02-00-847	Filter housing basket 8"



Part list 05-14-250

ITEM	QTY	PART NUMBER	TITLE
1	1	02-05-342	Plug 1" TM (PE)
2	1	02-01-103	Lid for basket filter 10"
3	2	02-01-417	Spacer PE
4	1	02-13-055	Pin Φ 8 inox
5	1	02-10-099	Hexagon socket screw with cup point DIN 916 M6x8
6	1	02-02-090	O-ring basket d.6
7	1	02-03-033	Filter cartridge basket DN 250
8	16	02-13-045	Retaining ring for shaft DIN 471 - 16
9	8	00-03-303-01	Pin Φ 16 filter basket DN 200 inox
10	8	02-10-190	Eye bolt DIN 444 M16X120
11	8	02-10-200	Washer M16 DIN 125
12	8	02-10-191	Eye nut DIN582 M16
13	1	02-05-342	Plug 1" TM (PE)
14	1	02-00-848	Filter housing basket 10"

05-14-250 Strainer filter type basket DN 250 (10")



Part list 05-14-300

ITEM	QTY	PART NUMBER	TITLE
1	1	02-05-342	Plug 1" TM (PE)
2	1	02-01-104	Lid for basket filter 12"
3	2	02-01-417	Spacer PE Ø8
4	1	02-13-055	Pin Ø8 inox
5	1	02-10-099	Hexagon socket screw with cup point DIN 916 M6x8
6	1	02-02-090	O-ring basket d.6
7	1	02-03-034	Filter cartridge basket DN 300
8	16	02-13-045	Retaining ring for shaft DIN 471 -M 16
9	8	00-03-303-01	Pin Ø16 filter basket DN 200
10	8	02-10-190	Eye bolt DIN 444 M16X120
11	8	02-10-200	Washer M16 DIN 125
12	8	02-10-191	Eye nut DIN582 M16
13	1	02-05-342	Plug 1" TM (PE)
14	1	02-00-849	Filter housing basket 12"

